



Instruction Manual

**MICROJECT RECORDER  
(PHA/PHC)  
TROUBLESHOOTING  
GUIDE**

---

# CONTENTS

## I. Troubleshooting Guide and Countermeasure

1. The recorder is inoperative .....	1
1.1 Nothing is displayed when the power supply switch is turned on. ....	2
1.2 Nothing is displayed when the power is turned on, and only the carriage motor is energized. ...	2
1.3 Only underline is displayed when the power is on. ....	2
1.4 Display is abnormal when the power is on. ....	2
1.5 Japanese characters are displayed in the English mode. English characters are displayed in the Japanese mode. ....	3
1.6 Display is dim. ....	3
2. Trouble about indication of measured value .....	4
2.1 Multiple channels provide burnout or abnormal display. ....	4
2.2 Some channels provide burnout or abnormal display. ....	4
2.3 Indication changes excessively. ....	5
2.4 Erroneous indication is large or overrange/underrange is displayed. ....	5
3. Error display on the front panel .....	6
3.1 Chart End is displayed. ....	6
3.2 Carriage Abnormal is displayed. ....	6
3.3 Ink End is displayed. ....	7
3.4 Battery Alarm is displayed. ....	7
4. Abnormal test pattern print .....	8
4.1 The recorder does not print at all. ....	8
4.2 One color or some colors are not printed. ....	8
4.3 Chart width is not sufficient to allow printing to the chart end. ....	9
4.4 Printing characters are blurred. ....	9
4.5 Print color is not correct. ....	9

5.	Error on recording .....	10
5.1	Some channels are not recorded. ....	10
5.2	Recording is scaled out. ....	10
5.3	Recording position is deviated. ....	10
5.4	Recording is printed step-like. ....	10
5.5	Recording is intermittent. Continuous recording is impossible. ....	11
5.6	Trend recording is possible, but characters are not printed. ....	11
5.7	Recording color is changed midway through recording. ....	11
5.8	Recording and printing is duplicated. ....	11
5.9	Ink is blurring or smudging. ....	11
5.10	Trend recording is dotted turbulently. ....	12
5.11	ON/OFF of recording is repeated. Message print is repeated. ....	12
5.12	Unusual sound is heard. ....	12
6.	Error on chart feed .....	13
6.1	Paper is not fed by pressing FEED. ....	13
6.2	Paper is not fed. ....	13
6.3	Paper will not thread. ....	14
6.4	Paper is not properly folded. ....	14
7.	Error on key action .....	15
7.1	Key operation is impossible. ....	15
7.2	No setting can be made since your password slipped in mind. ....	15
7.3	Closing the door turns recording ON/OFF or changes display. ....	15
8.	Other errors .....	16
8.1	External control is impossible. [Record ON/OFF, Selection of chart speed, Momentary value list printing] .....	16
8.2	Alarm signal is not outputted. ....	16

## II. Maintenance Information

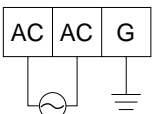
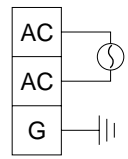
1.	Name of each part .....	17
1.1	Structure of PHA and the name of each unit.....	17
1.2	Structure of PHC and the name of each unit .....	18
2.	Internal block diagram .....	20
2.1	PHA .....	20
2.2	PHC .....	22
3.	Replacement of components .....	24
3.1	Replacement of Model PHA main board .....	24
3.2	Replacement of PHA relay board .....	26
3.3	Replacement of Model PHA power unit .....	28
3.4	Replacement of PHC CPU board .....	30
3.5	Replacement of AI board of Model PHC .....	33
3.6	Replacement of Model PHC power unit.....	35
3.7	Replacement of input module .....	36
3.8	Replacement of Rope .....	37
3.9	Option unit mounting .....	41
4.	Method of initial start .....	51
5.	Use of TEST channel .....	52
5.1	Shift to TEST channel .....	52
5.2	Zero/span fine adjustment of measured value .....	53
6.	Internal data setting .....	55
7.	Selection of PHC power switch .....	56

# **I. Troubleshooting Guide and Countermeasure**

# 1. The recorder is inoperative

The recorder does not start with the power turned ON. Since the display unit is unusual, no setting can be carried out. If something unusual which may affect the recorder's functions occurs, the troubleshooting guide below will help you in solving problems.

## 1.1 Nothing is displayed when the power supply switch is turned on.

Check	Probable Causes	Suggested Remedy	Reference Page
Check the input voltage to AC terminal. PHA: 85 to 300V AC PHC: 85 to 150 V AC or 150 to 300 V AC The PHC power must conform to the specifications, or the power supply may be damaged. 1) Check the power spec. against the specifications on the nameplate. 2) Since the PHC uses a selection power switch on the rear panel, check the switch position.	Power supply is not properly connected.	Connect the power according to the specifications.	II. 7. Selection of PHC power switch.
Check the connected terminals of the power.  <div style="display: flex; justify-content: space-around; align-items: flex-start;"> <div style="text-align: center;"> <p>(PHA)</p>  </div> <div style="text-align: center;"> <p>(PHC)</p>  </div> </div>	Terminals are not properly connected.	Connect properly.	
Check fuses for burnout (only PHA). (Since the PHC fuses are contained within the power unit, they are impossible to check.)	Burn out.	Replace. (250V AC, 1A)	
Pull the main unit from the case and check the 5V power supply on: PHA: Main board CN6 or CN7 PHC: AI board CN5  5V power supply is not outputted: the power unit is faulty or card is damaged.  5V power supply is normally outputted: the main unit is faulty.	The power unit is faulty.  Card is defective.  Main unit is defective.	Replace.  PHA: Replace the main board. PHC: Replace the AI board.  PHA: Replace the relay board or display unit. PHC: Replace the CPU board or display unit.	

**1.2 Nothing is displayed when the power is turned on, and only the carriage motor is energized.**

Check	Probable Causes	Suggested Remedy	Reference Page
If the system can start recording by pressing the RECORD key, the power may not be supplied to a fluorescent character display.	Fluorescent character display is not wired yet.	Connect properly.	
	Fluorescent character display is defective.	Replace display unit.	

**1.3 Only underline is displayed when the power is turned on.**

Check	Probable Causes	Suggested Remedy	Reference Page
The power is supplied but the control signal is not supplied to the fluorescent character display.	Fluorescent display cable is disconnected.  Card is damaged.	Check cable. If cable is disconnected, replace the whole display unit. PHA: replace the main board. PHC: replace the CPU unit.	

**1.4 Display is abnormal when the power is turned on.**

Check	Probable Causes	Suggested Remedy	Reference Page
Control signal to the fluorescent display is abnormal. Such errors may occur due to faulty CPU or RAM error data or even when the battery is removed. 1) Check that the battery is fit in position. 2) Check the battery voltage. (2.5V or more) 3) Make an initial start. 4) If the above remedy cannot correct the error, a card is probably damaged.	The battery is not properly installed.	Reinstall the battery and start again.	II. 4. The method of initial start
	Battery voltage drop.  The card is damaged.	Replace the battery (TK7C9980P1) and make an initial start. PHA: Replace the main board. PHC: Replace the CPU board.	See the Manual, Chap. 8.

**1.5 Japanese characters are displayed in the English mode. English characters are displayed in the Japanese mode.**

Check	Probable Causes	Suggested Remedy	Reference Page
<p>Selection of English/Japanese is made by internal parameter settings.</p> <p>1) After the setting has been changed, make an initial start.</p> <p>2) If not corrected by the remedy, the card is probably defective.</p>	<p>The internal parameter setting is wrong.</p> <p>The card is damaged.</p>	<p>Set properly and make an initial start.</p> <p>PHA: Replace the main board.</p> <p>PHC: Replace the CPU board.</p>	<p>II. 6. Internal data setting method</p> <p>II. 4. The method of initial start</p>

**1.6 Display is dim.**

Check	Probable Causes	Suggested Remedy	Reference Page
<p>1) Turn off the power once and turn it on again.</p> <p>2) Check if the keys can be manipulated by pressing the SELECT key.</p> <p>In the case where key action is possible but part of the display is dim, the fluorescent display unit is defective.</p> <p>Where key action is impossible, the card may be damaged.</p>	<p>Fluorescent display tube is defective.</p> <p>Card is damaged.</p>	<p>Replace the display unit.</p> <p>PHA: Replace the main board.</p> <p>PHC: Replace the CPU board.</p>	



## 2. Trouble with the indication of a measured value

For trouble with the indication of measured values, see the following:

### 2.1 Multiple channels provide burnout or abnormal display.

Check	Probable Causes	Suggested Remedy	Reference Page						
<p>If the signal is not properly inputted, a thermocouple or a resistance bulb provides burnout display. Or a voltage signal provides abnormal display.</p> <p>1) Check if the wiring to the input terminal is properly connected.</p> <p>2) Check if the input terminal and the main connector are properly connected.</p> <p>3) When the following related channels (such as CH1 - CH4 and CH2 - CH5) are abnormal, any of the A/D converter modules may be faulty. (Internally parallel processed channel)</p> <table border="1" style="margin-left: 20px; border-collapse: collapse; width: 80%;"> <tr> <td style="padding: 2px;">CH1 &amp; CH4:</td> <td style="padding: 2px;">CH7 &amp; CH10</td> </tr> <tr> <td style="padding: 2px;">CH2 &amp; CH5:</td> <td style="padding: 2px;">CH8 &amp; CH11</td> </tr> <tr> <td style="padding: 2px;">CH3 &amp; CH6:</td> <td style="padding: 2px;">CH9 &amp; CH12</td> </tr> </table> <p>4) A/D converter control circuit and power supply may be defective.</p>	CH1 & CH4:	CH7 & CH10	CH2 & CH5:	CH8 & CH11	CH3 & CH6:	CH9 & CH12	<p>Wrong wiring.</p> <p>The input terminal unit is not correctly installed. A/D conversion module is faulty.</p> <p>Power supply is defective. Card is damaged.</p>	<p>Connect properly.</p> <p>Install correctly.</p> <p>Replace A/D conversion module. After replacement, adjust the input.</p> <p>Replace. PHA: replace the main board. PHC: replace the AI board.</p>	<p>II. 3. Replacement of A/D converter module</p>
CH1 & CH4:	CH7 & CH10								
CH2 & CH5:	CH8 & CH11								
CH3 & CH6:	CH9 & CH12								

### 2.2 Some channels provide burnout or abnormal display.

Check	Probable Causes	Suggested Remedy	Reference Page
<p>1) Check if wiring to the input terminal is properly connected.</p> <p>2) Check the input signal for disconnection.</p> <p>3) Check the input signal setting pins. If it exceeds the max. allowable input voltage, the A/D converter module may be destroyed. Thermocouple, resistance thermometer bulb ..... <math>\pm 10V</math> 50mV, 500mV range ..... <math>\pm 10V</math> 5V, 50V range ..... <math>\pm 100V</math></p> <p>4) The A/D converter module may be faulty.</p>	<p>Wrong wiring.</p> <p>Wrong wiring. Setting of input setting pin is wrong.</p> <p>The A/D converter module is defective.</p>	<p>Wire properly.</p> <p>Wire properly. Set properly.</p> <p>Replace. After replacement, make an input adjustment.</p>	<p>Manual, Chap. 5.</p> <p>II. 3.7 Replacement of A/D converter module</p>

### 2.3 Indication changes excessively.

Check	Probable Causes	Suggested Remedy	Reference Page
1) Check if the input signal is excessively deflected.	Input signal deflects violently.	Use an input filter.	Manual, chap.7
2) The A/D converter module may be faulty.	The A/D converter module is defective.	Replace.	II. 3.7 Replacement of A/D converter module
3) The control circuit of the card may be faulty.	The card is damaged.	Replace the main board or AI board.	

### 2.4 Erroneous indication is large or overrange/underrange is displayed.

Check	Probable Causes	Suggested Remedy	Reference Page
1) Check the input signal.	Input signal is abnormal.	Input the correct signal.	See Manual for: Rooter setting Industry value setting Manual, Chap. 9. II. 5. Use of TEST channel
2) Check the input signal setting pin.	Setting of input setting pin is wrong.	Set correctly.	
3) Check the following parameters on the input signal setting screen: <ul style="list-style-type: none"> <li>• The type of signal is correct.</li> <li>• Rooter is ON.</li> <li>• The industry value is set correctly.</li> <li>• The differential operation is specified.</li> </ul>	Input parameter setting is wrong.	Set correctly.	
4) Regulate the measurement value input.	Not regulated properly.	Regulate the input.	
5) Check if cold junction compensation error affects the thermocouple input. <ul style="list-style-type: none"> <li>• Cold contact temperature equals to that of the terminals.</li> <li>• Adjust the cold contact temperature in fine adjustment mode.</li> </ul>	Cold contact temperature is poorly adjusted.	Adjust the cold contact temperature. Replace the A/D converter module. After that, make an input adjustment.	
6) If errors are not corrected by adjustment, the A/D converter module may be faulty.	The A/D converter module is faulty.		

### 3. Error display on the front panel

When the recorder causes an error, it self-diagnoses the contents of the error, and displays an error message on the front panel.

#### 3.1 Chart End is displayed.

Check	Probable Causes	Suggested Remedy	Reference Page
1) Check the remaining chart paper and the setting state of chart paper. If the paper runs short, chart end will be displayed intermittently. 2) Check the sensor system for abnormality. PHA: Check the chart end detector photo sensor for impurity. PHC: Check the chart end detector sensor for bends. 3) If each of the above is found usual, the card may be abnormal.	Chart paper is short. Chart paper is not properly set.  The sensor is malfunctioning. Sensor fixture is bent or broken. The card is damaged.	Set a new chart paper. Set correctly.  Clean the sensor. Repair or replace.  PHA: Main board or repeating board. PHC: Replace the CPU board.	

#### 3.2 Carriage Abnormal is displayed

Check	Probable Causes	Suggested Remedy	Reference Page
When the power is turned on or while the recorder is recording, an error is sensed that the carriage unit is not returned to the Home position (Left end). Once errors are detected, the carriage is not reset until the power is turned on again. 1) Turn off the power, and turn it on again. 2) When the recorder head does not completely move, check if: <ul style="list-style-type: none"> <li>• the carriage cable is cut</li> <li>• the carriage motor cable is connected.</li> </ul> 3) When the recorder head moves, check if: <ul style="list-style-type: none"> <li>• the head is installed correctly (hits against something).</li> <li>• the carriage cable is wound or loosen.</li> <li>• the home position sensor is impure.</li> </ul> 4) If each of the above items is not found faulty, the carriage motor may be faulty, or the power supply or card may be faulty.	Rope is cut. Signal cables are not connected. It is not installed correctly. Rope setting is faulty. Sensor is contaminated or dusty. Carriage motor is faulty. Power supply is faulty. Card is damaged.	Replace. Connect cables.  Install the head correctly.  Wind rope correctly. Clean.  Replace. Replace the power supply unit. PHA: main board or repeating board PHC: Replace the CPU board.	II.3.8 Replacement of carriage cable   II.3.8 Replacement of carriage cable

### 3.3 Ink End is displayed.

Check	Probable Causes	Suggested Remedy	Reference Page
<p>The recorder detects ink shortage by counting the number of dots of ink injection. To replace an ink head, an Ink Alarm Clear action is required.</p> <p>If display does not disappear with the ink alarm clear action, the card unit may be faulty.</p>	<p>Ink alarm Clear is not carried out.</p> <p>The card unit is faulty.</p>	<p>Carry out Ink Alarm Clear.</p> <p>PHA: Replace the main board.</p> <p>PHC: Replace the CPU board.</p>	See Manual

### 3.4 Battery Alarm is displayed.

Check	Probable Causes	Suggested Remedy	Reference Page
<p>1) Check if the battery voltage is dropped, or connection is not wrong.</p> <p>2) If display does not disappear by battery replacement, the card unit may be defective.</p>	<p>Battery voltage is dropped.</p> <p>Battery connection is wrong.</p> <p>The card unit is defective.</p>	<p>Replace the battery .</p> <p>Connect correctly.</p> <p>PHA: Replace the main board.</p> <p>PHC: Replace the CPU board.</p>	See Manual, Chap. 8.

## 4. Abnormal test pattern print

If any problems about recording or printing occur, print the test pattern. Take remedy by judging from how the test pattern is printed.

### 4.1 The recorder does not print at all.

Check	Probable Causes	Suggested Remedy	Reference Page
1) Check the ink injection sound. If the injection sound is not heard, head installation is not complete, or the connector pin at the rear of the head is probably broken.	Head installation is incomplete. Head connector pin is broken.	Install the head correctly. Replace the head.	
2) Remove the head from the main unit and check : a) if the cap is left attached to the head. b) if ink does not leak. c) Extrude ink. If the test pattern is not printed in full color, the head nozzle may be clogged with particles.	The cap is not detached. Ink leaks from the head. A nozzle is clogged.	Detach the cap and install head Replace the head. Replace the head	
3) Check that the head driven cable connector is not disconnected.	Cable connection is poor.	Connect cable correctly.	
4) Try printing again. And if it is still not printing at all, the power supply or card unit may be defective.	Power supply is faulty. The card unit is faulty.	Replace the power supply: PHA: replace the main board. PHC: replace the CPU board.	

### 4.2 One color or some colors are not printed.

Check	Probable Causes	Suggested Remedy	Reference Page
1) Check the connector pin at the rear of the head.	The head connector pin is broken.	Replace the head.	
2) Try to extrude ink. Bring blotting cloth into contact with the head end to check that all colors are printed out. Repeat this procedure several times until all colors are printed. If not, the nozzle may be clogged with dust.	The nozzle is clogged.	Replace the head.	

#### 4.3 Chart width is not sufficient to allow printing to the chart end.

Check	Probable Causes	Suggested Remedy	Reference Page
1) Adjust the head position. 2) When the position is well adjusted, the chart width is too narrow to print to the end, so make an initial start. If not adjusted, the card unit seems to be defective.	The head position is not sufficiently adjusted.  The card unit is defective.	Adjust the head position.  PHA: Replace the main board. PHC: Replace the CPU board.	Manual, Chap. 9.

#### 4.4 Printing characters are blurred.

Check	Probable Causes	Suggested Remedy	Reference Page
1) Check the head backlash. Deflection per dotted line seems attributed to the backlash.	Backlash is deflected.	Adjust the backlash.	Manual, Chap. 9.
2) Check the carriage traveling arbor for impurities.	The carriage traveling arbor is dirty.	Clean with a soft cloth.	
3) When ink injection is unstable, remove the head and try to extrude ink.	Air bubbles are mixed in the head nozzle.	Extrude ink.	

#### 4.5 Print color is not correct.

Check	Probable Causes	Suggested Remedy	Reference Page
1) Make an initial start. 2) If not corrected, the card unit seems faulty.	The card unit is faulty.	PHA: replace the main board. PHC: replace the CPU board.	

## 5. Error in recording

For trouble about trend record or digital printing, the following troubleshooting guide will help you in solving problems.

### 5.1 Some channels are not recorded.

Check	Probable Causes	Suggested Remedy	Reference Page
1) Print the test pattern to check if all colors are printed out. 2) Check that no channel is recorded beyond the left and right margins (overrange/underrange). 3) Check if the input setting is skipped. 4) Try an initial start. If it is still not recorded, the card unit may be faulty.	The head is faulty.  Recording beyond the range.  Input setting is wrong. The card unit is defective.	Check the test pattern.   Set properly. PHA: Replace the main board. PHC: Replace the CPU board.	See Chap. 5.2 " below.

### 5.2 Recording is scaled out.

Check	Probable Causes	Suggested Remedy	Reference Page
1) Check if the indication of the measured value is overranged or underranged, and check the value for burnout. 2) Check if the measured values displayed are within the range.	Input is unusual.  Recording range is not properly set.	Set the range properly.	2. Abnormal measured values

### 5.3 Recording position is deviated.

Check	Probable Causes	Suggested Remedy	Reference Page
1) Check if the displayed measured values are aligned with the recording position.  2) Check if the recording format is properly set. (Auto range, zoom, zone record)	Error of measured value. Recording position is deviated. Recording format is improperly set.	Correct the recording position. Set the format properly.	2. Abnormal measured values Manual, Chap. 9  Manual, Chap. 7

### 5.4 Recording is printed step-like.

Check	Probable Causes	Suggested Remedy	Reference Page
Check the industrial value settings. If the industrial values are set to integers between 1 and 10, recording is printed out in steps since the resolution is in an increment of 10. In this case, add decimal points like 1.0 to 10.0 to raise resolution.	Industrial value resolution is low.	Add decimal point to increase the resolution .	

**5.5 Recording is intermittent. Continuous recording is impossible.**

Check	Probable Causes	Suggested Remedy	Reference Page
Recording is continuous in the range of 300mm/H with PHA, and 400mm/H with PHC. If recording is beyond this range, it is intermittent.	Chart speed is high.	Decrease the speed.	

**5.6 Trend recording is possible, but characters are not printed.**

Check	Probable Causes	Suggested Remedy	Reference Page
The recording chart speed is too high to print characters. Continuous: 300mm/H with PHA, 400mm/H with PHC Dot: 50mm/H	Chart speed is high.	Decrease the speed.	

**5.7 Recording color is changed midway through recording.**

Check	Probable Causes	Suggested Remedy	Reference Page						
Orange, green and purple are formed by mixing, as follows: <table border="1" data-bbox="199 1003 609 1115"> <tr> <td>Orange (CH1, CH6)</td> <td>Red - Blue</td> </tr> <tr> <td>Green (CH2, CH7)</td> <td>Yellow - Blue</td> </tr> <tr> <td>Purple (CH3, CH8)</td> <td>Blue - Red</td> </tr> </table> If any of the colors above are missing, the recording color looks different.	Orange (CH1, CH6)	Red - Blue	Green (CH2, CH7)	Yellow - Blue	Purple (CH3, CH8)	Blue - Red	Ink is short.	Replace the head.	
Orange (CH1, CH6)	Red - Blue								
Green (CH2, CH7)	Yellow - Blue								
Purple (CH3, CH8)	Blue - Red								

**5.8 Recording and printing is duplicated.**

Check	Probable Causes	Suggested Remedy	Reference Page
It may be influenced by the head backlash.	Influence of backlash.	Adjust head backlash. If the carriage arbor is dirty, clean it.	Manual, Chap. 9

**5.9 Ink is blurring or smudging.**

Check	Probable Causes	Suggested Remedy	Reference Page
1) Check the type or quality of the recording chart. If the quality of the recording chart is different, ink may dry late or may be smudging. Type of standard recording chart PHA: PEX00BL1-1000B PHC: PEX00DL1-5000B	Chart is not properly set.	Use the standard recording chart.	
2) Check if the trend recording lines of some channels overlap and are not printed.	Trend recording lines overlap.	Deviate the recording range or separate the recording zone.	
3) Try to extrude ink.	Air bubbles are contained in the head nozzle.	Extrude ink.	



### 5.10 Trend recording is dotted turbulently.

Check	Probable Causes	Suggested Remedy	Reference Page
1) Check if indication of measured values is not drifted. 2) Check if backlash is matched. 3) When dotted recorder is used, check if multi-channel trend recording lines does not overlap	Indication is drifted.  Error on backlash. Trend recording lines overlap.	Adjust backlash. Deviate the recording range or separate the recording zone.	2. Abnormal measured values Manual, Chap. 9

### 5.11 ON/OFF of recording is repeated. Message print is repeated.

Check	Probable Causes	Suggested Remedy	Reference Page
If the external control RECORD START/STOP contacts are unstable or the chart end comes out or don't come out, recording ON/OFF is repeated. When Message Print is specified at the beginning of recording, Message printing is repeated. 1) Remove the external control unit.  2) Check if the Chart End is displayed.	RECORD START/STOP contact input signal is abnormal. Chart end.	Input correct contact signal.	3. Error display.

### 5.12 Unusual sound is heard.

Check	Probable Causes	Suggested Remedy	Reference Page
Inspect the carriage travel arbor for contamination.	Traveling arbor is dirty.	Use a soft cloth to clean the arbor.	

## 6. Error in chart feed

For troubles about chart paper is not fed or paper does not advance the following troubleshooting chart will help you in solving the problems.

### 6.1 Paper is not fed by pressing FEED.

Check	Probable Causes	Suggested Remedy	Reference Page
1) Check if the recording paper is properly set. Chart feed is impossible with paper set afloat.	Recording paper is not set properly.	Set properly.	
2) Check if the chart feed motor cable is disconnected.	Chart feed motor cable is disconnected.	Connect cables.	
3) If paper is not fed with any of the above items, the chart feed motor, power supply or card unit is found to be faulty.	Chart feed motor is defective.	Replace.	
	Power supply unit is defective.	Replace.	
	Card unit is defective.	PHA: Replace the main board. PHC: Replace the CPU board.	

### 6.2 Paper is not fed.

Check	Probable Causes	Suggested Remedy	Reference Page
1) Check if the chart perforation is aligned with the sprockets. Check if the chart end is broken or bent.	Recording chart is not properly set.	Set properly.	
2) Check if the paper setting direction is correct. (Chart is set vertically with PHC)	Recording chart is not properly set.	Set properly.	
3) Check the following items with PHC. <ul style="list-style-type: none"> <li>· Paper retainer at the rear of chart cassette is too strong.</li> <li>· Main frame plate spring pressure is too strong.</li> <li>· Chart cassette gear and chart feed motor gear are not properly engaged.</li> </ul>	Paper retainer pressure is large.	Decrease the pressure.	
	Plate pressure is large.	Bend plate spring slightly.	
	Gear engagement is not proper.	Adjust the gear position.	
4) If paper feed is not corrected by checking any of the above items, the chart feed motor, power supply or card unit is found to be faulty.	Chart feed motor is defective.	Replace.	
	Power supply unit is defective	Replace.	
	Card unit is defective.	PHA: Replace the main board. PHC: Replace the CPU board.	

### 6.3 Paper will not thread.

Check	Probable Causes	Suggested Remedy	Reference Page
1) Check if the chart paper is properly set: Check if the chart paper end does not tear or bend. Check if the sprocket is not leaned.	Chart paper is not properly set.	Set correctly.	Manual, Chap. 5.
2) Check if the head comes in contact with chart paper.	Paper contacts with the head.	Set the head properly.	

### 6.4 Paper is not properly folded.

Check	Probable Causes	Suggested Remedy	Reference Page
1) Check the type or material of chart paper. Some chart paper cannot be well folded depending upon the material of chart paper. Types of standard chart paper: PHA: PEXOOBL1-1000B PHC: PEXOODL1-5000B	Chart paper is not properly set.	Use the standard chart paper.	
2) Check if the chart paper is properly set.	The chart paper is not properly set.	Set it properly by folding a length of 2-3 sheets at each perforated line.	
3) Leaving the chart paper set for a long time may make it difficult to fold.	It has been left unused for a long time.	Feed paper a little with FEED and then proceed to recording.	

## 7. Error in key action

### 7.1 Key operation is impossible.

Check	Probable Causes	Suggested Remedy	Reference Page
1) Confirm that key action is impossible during printing. It is impossible to use the key while a daily report, an integrated list or a momentary value list, etc. is printing.	Key is used during printing.	Press the LIST key to stop list printing.	
2) Check if error messages are displayed. If an error such as Chart End or Carriage Abnormal is caused, the setting screen does not appear.	Error is being caused.	Clear the Error state.	
3) Make an initial start. If not corrected by the above remedies, the unit card is found faulty.	The card unit is defective.	PHA: Replace the main board, PHC: Replace the CPU board.	

### 7.2 No setting can be made since your password slipped in mind

Check	Probable Causes	Suggested Remedy	Reference Page
Make an initial start.		Make an initial start.	II. 4. Initial Start

### 7.3 Closing the door turns recording ON/OFF or changes display.

Check	Probable Causes	Suggested Remedy	Reference Page
The back door may come in contact with the key switch.	Door is faulty.	Replace.	

## 8. Other errors

### 8.1 External control is impossible. [Record ON/OFF, Selection of chart speed, Momentary value list printing]

Check	Probable Causes	Suggested Remedy	Reference Page
1) Check if the external control unit is properly installed. Check if the connector pin is properly connected.	The external control unit is not properly installed.	Install properly.	
2) Check if D11 or D12 is specified with message printing.	Message print is specified.	Change the Message print.	
3) Check if an alarm latch is specified.	Used for alarm latch OFF.	Turn the alarm latch OFF.	

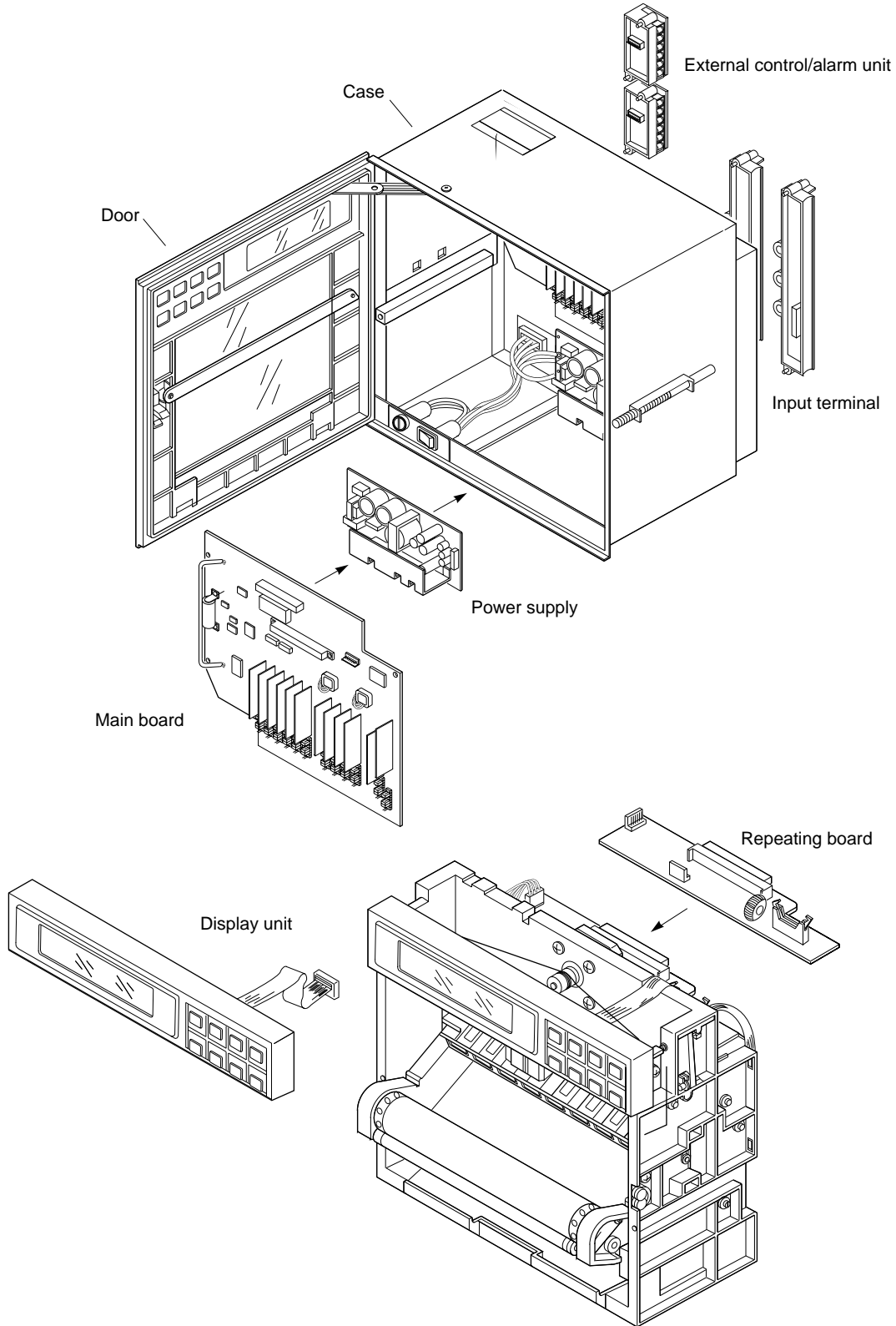
### 8.2 Alarm signal is not outputted.

Check	Probable Causes	Suggested Remedy	Reference Page
1) Check if the alarm output unit is properly installed. Check that the connector pin is properly connected.	The unit is not properly installed.	Install the unit properly.	
2) Check if the alarm output contact capacity is sufficient. Relay contacts: 240VAC/3A, 30V DC/3A  If the output power exceeds the contact capacity, it may cause damage to the system.	The alarm output power exceeds the specified contact capacity.  The alarm unit is defective.	Install relays with a large contact capacity external to the system.  Replace the alarm unit.	

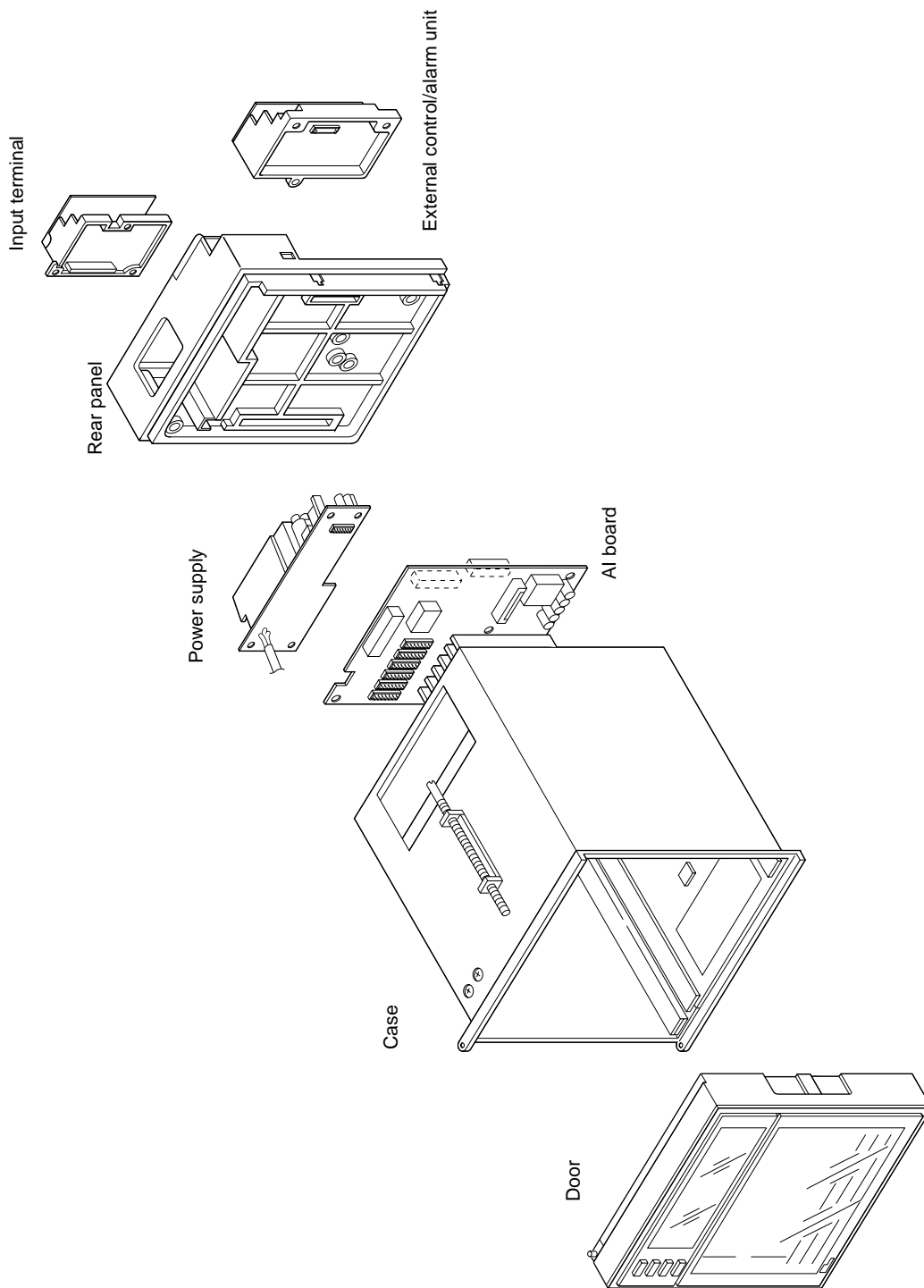
## **II. Maintenance Information**

# 1. Name of each part

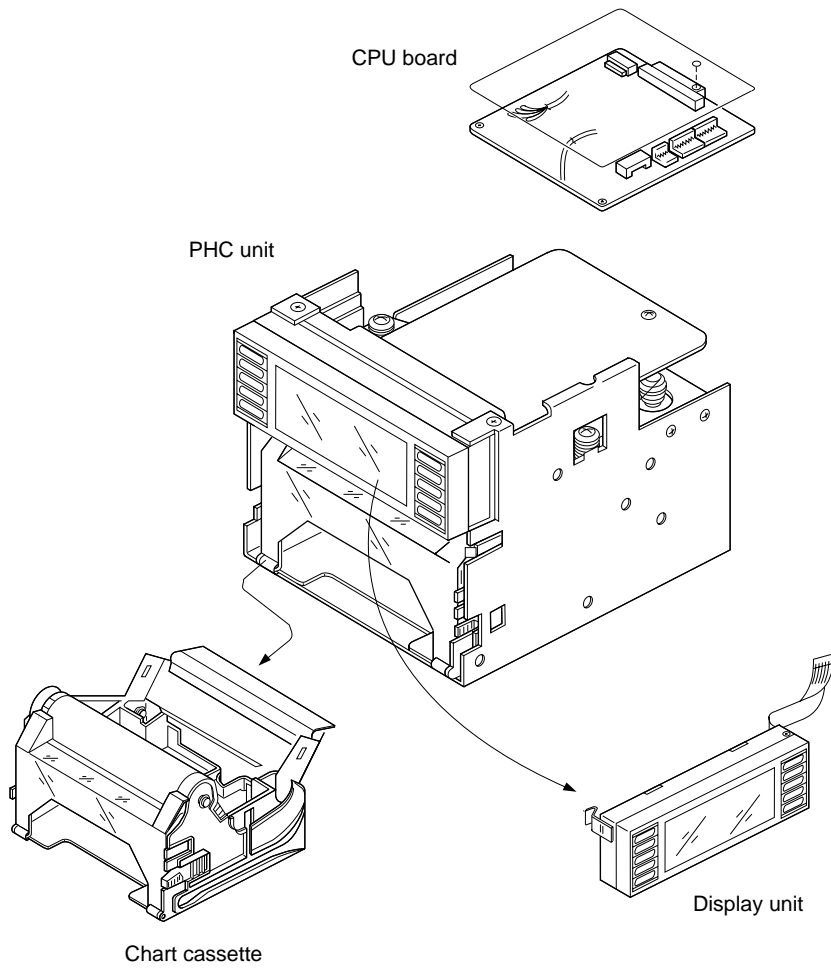
## 1.1 Structure of PHA and the name of each unit



## 1.2 Structure of PHC and the name of each unit



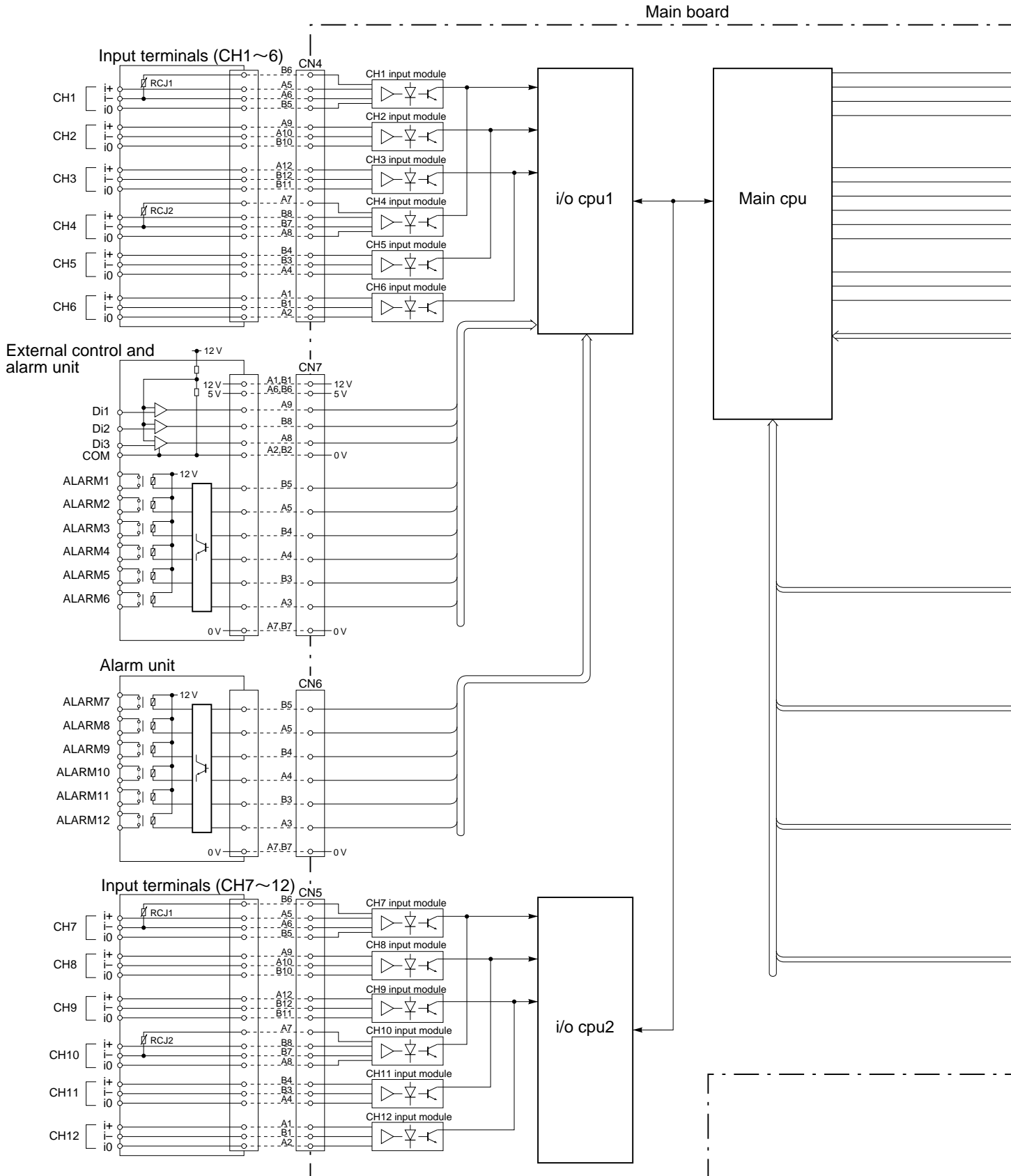




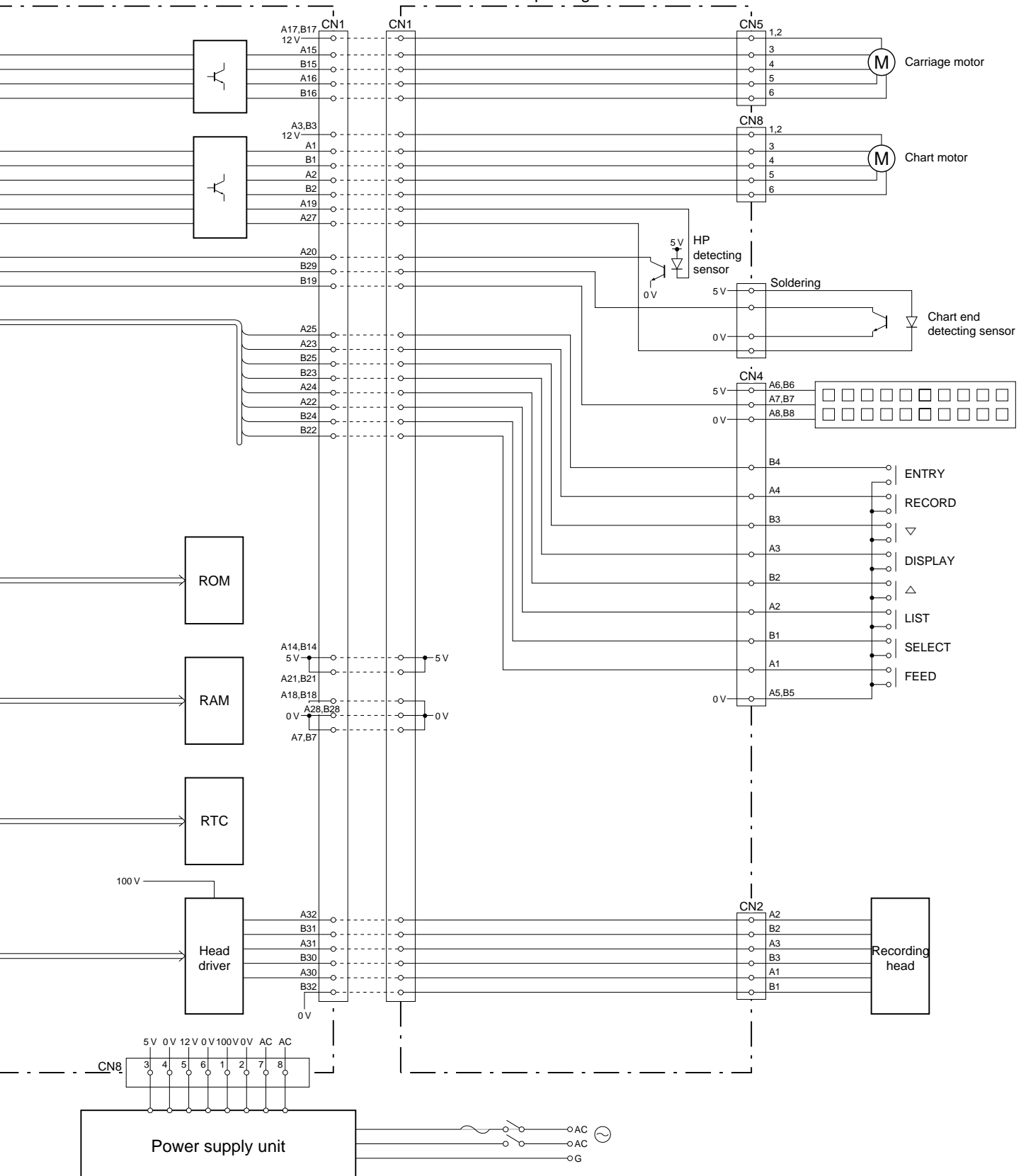
## 2. Internal block diagram

### 2.1 PHA

Following diagram shows the internal block diagram of PHA and the connections between component units.

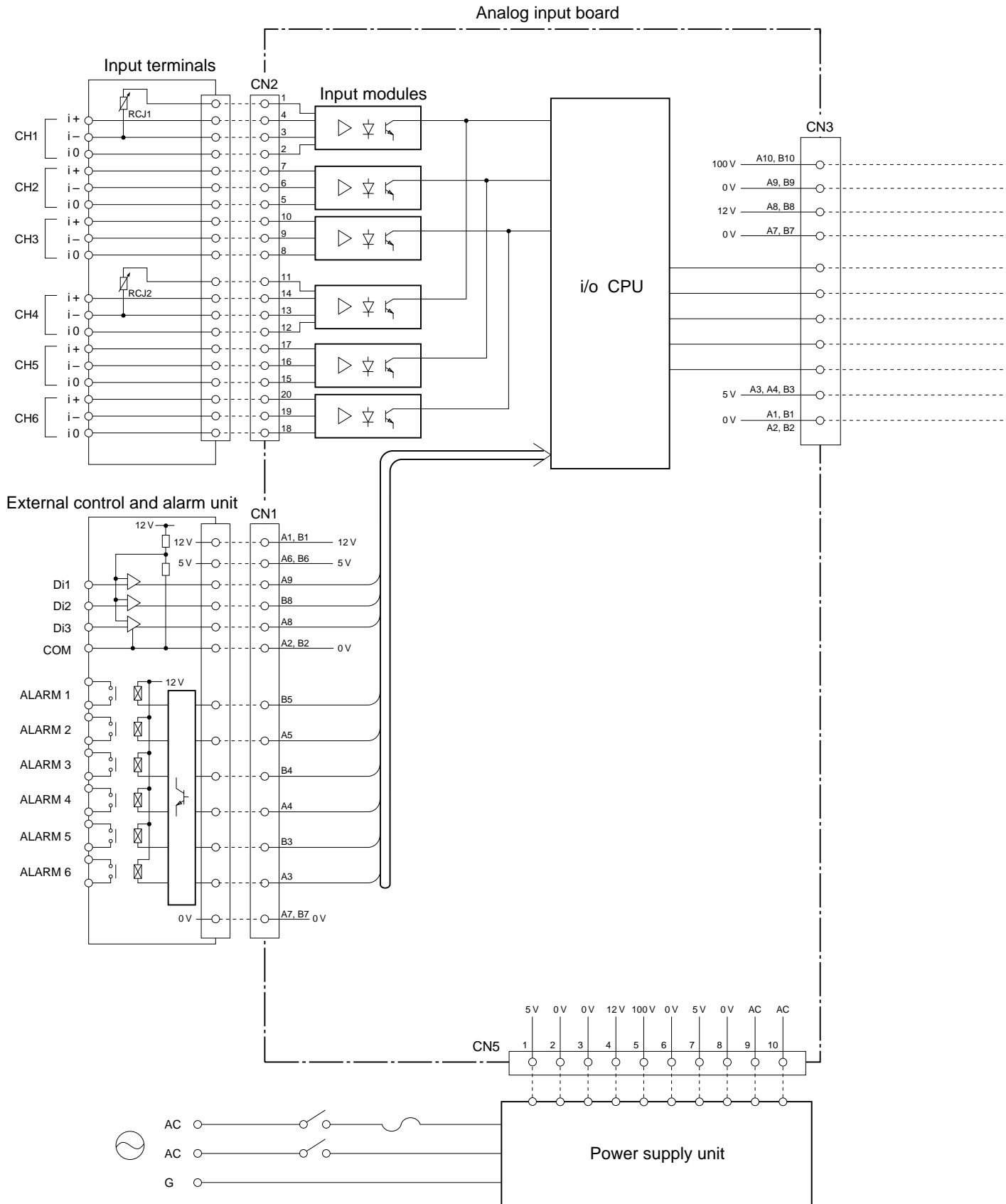


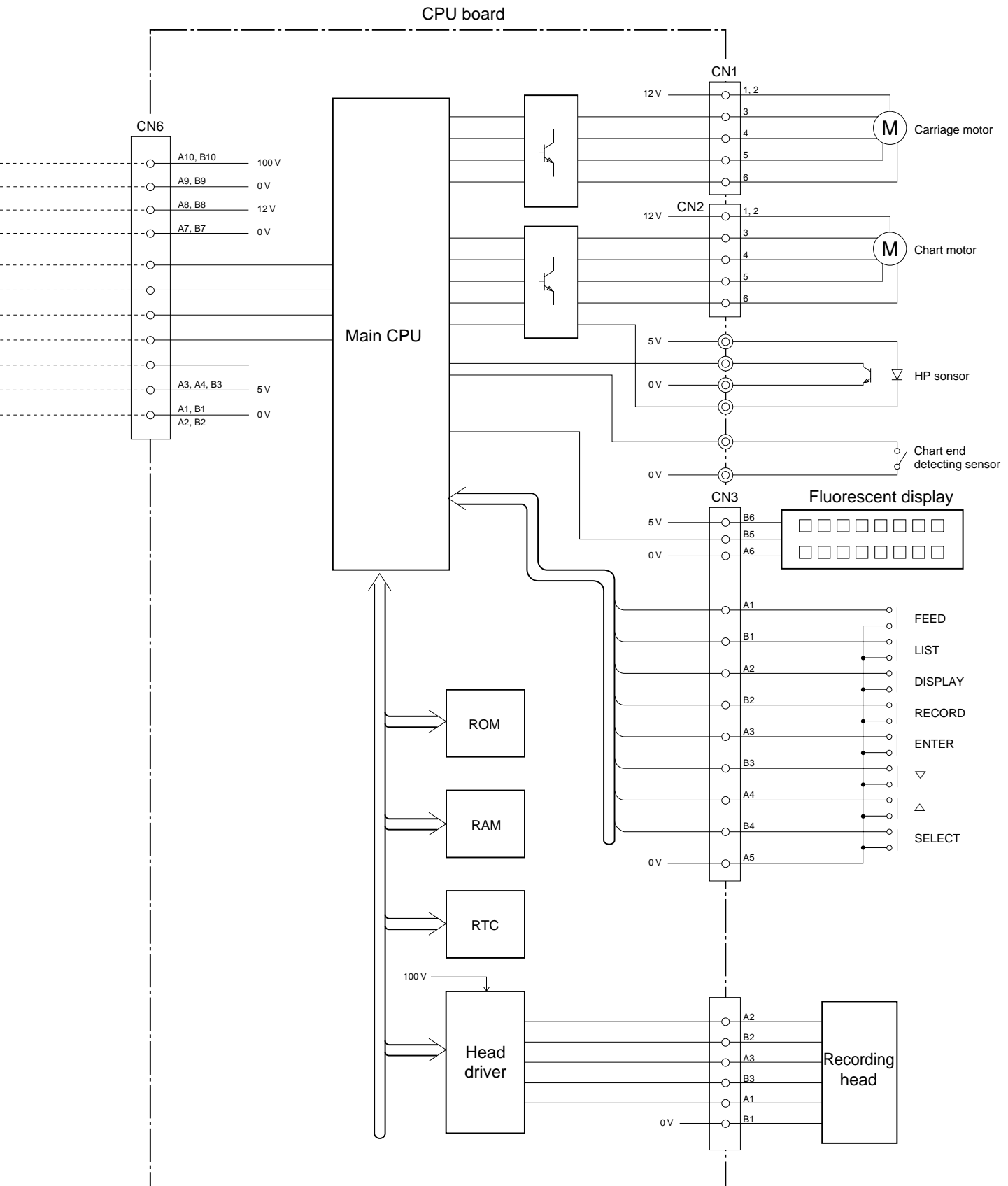
### Repeating board



## 2.2 PHC

Following diagram shows the internal block diagram of PHC and the connections between component units.



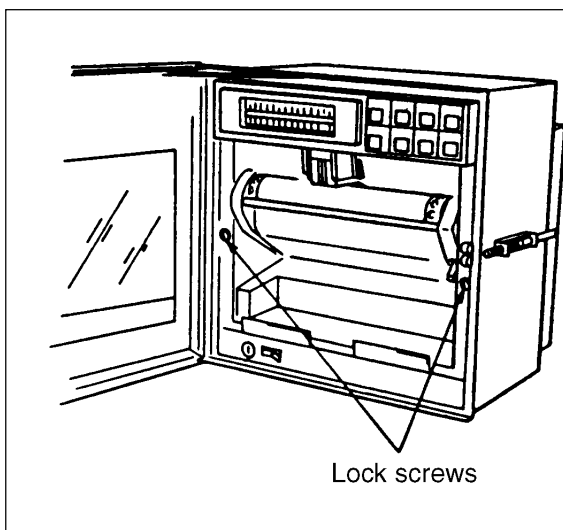


## 3. Replacement

### 3.1 Replacement of Model PHA main board

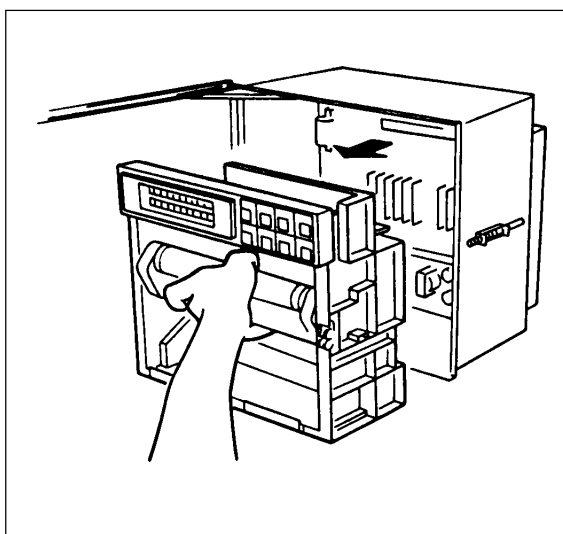
**Step 1** Turn off the power.

**Step 2**



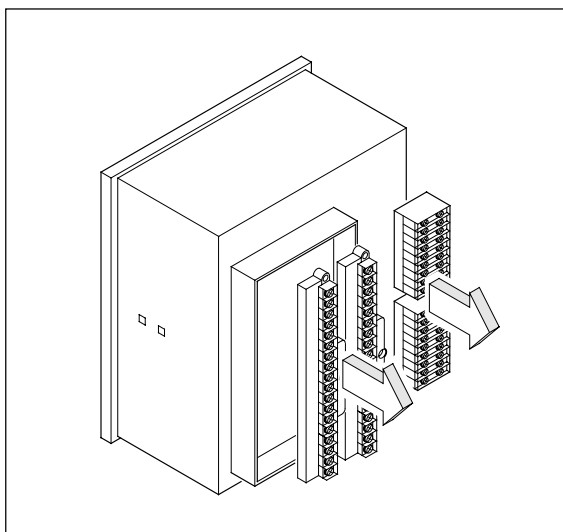
Remove the right and left lock screws by turning them counterclockwise.

**Step 3**



Grip the paper feed frame by hand and pull it firmly toward you, and the main unit can be removed.

**Step 4**

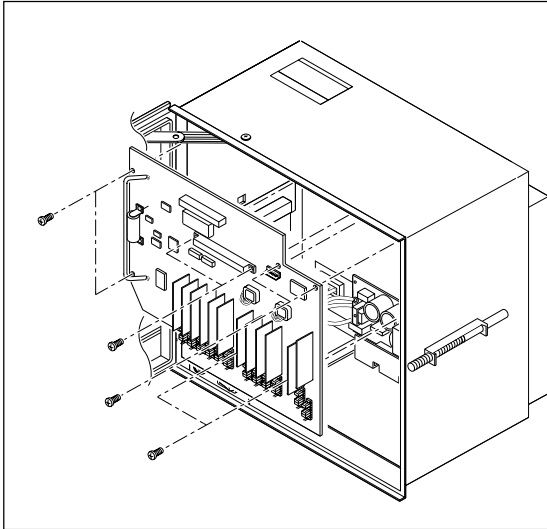


Remove the external control/alarm units from the rear panel of the main unit for easy re-assembly.

**Step 5**

Disconnect the cable from the power unit.

**Step 6**



Remove 8 lock screws and remove the main board.

### Mounting

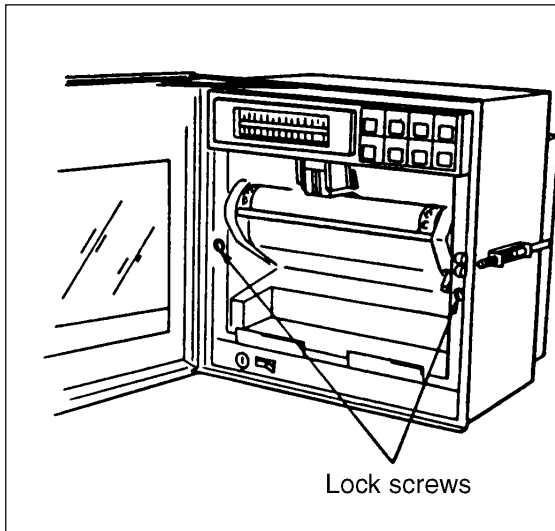
**Step 7**

For mounting procedures, reverse the procedures in step 1 to step 7.

### 3.2 Replacement of PHA relay board

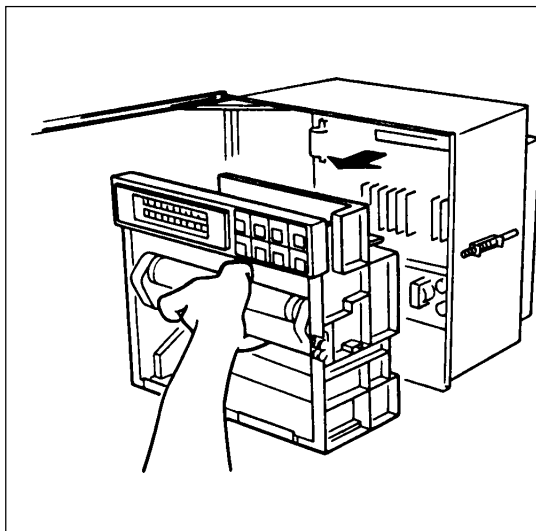
**Step 1** Turn off the power.

**Step 2**



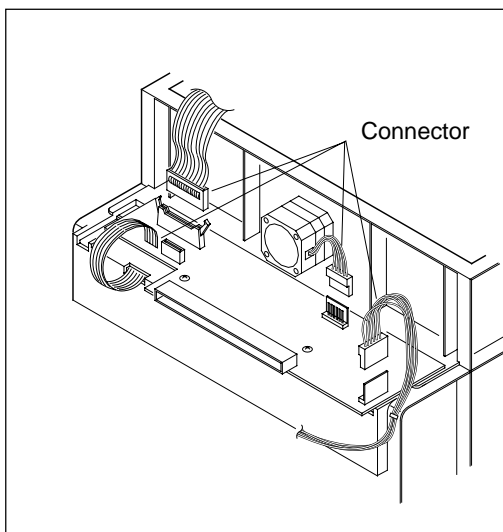
Remove the right and left lock screws by turning them counterclockwise.

**Step 3**



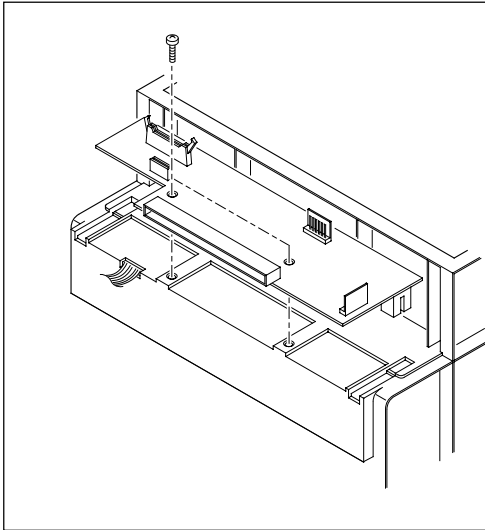
Grip the paper feed frame and pull it firmly toward you, and the main unit can be removed.

**Step 4**



Remove all connectors (4) from the relay board and main unit.



**Step 5**

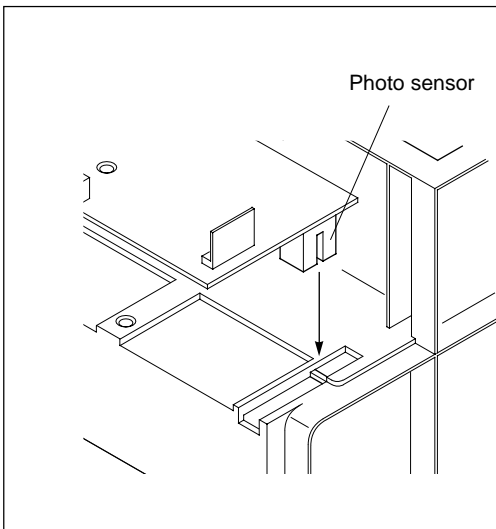
Remove 2 screws and remove the relay board from the main unit  
Note) Use care when removing screws to avoid dropping the screw nuts inside of the machine.

**Step 6**

Remove the remaining 4 cables by soldering. Now, The removing procedure has been completed.

**Mounting****Step 7**

Solder 4 cables according to the color and number given below:  
A combination of color and number  
①-black, ②-red, ③-blue, √ -orange

**Step 8**

Mount the relay board on the main unit.  
After checking that the detector unit of the photo sensor is aligned with the recording head, install two screws.

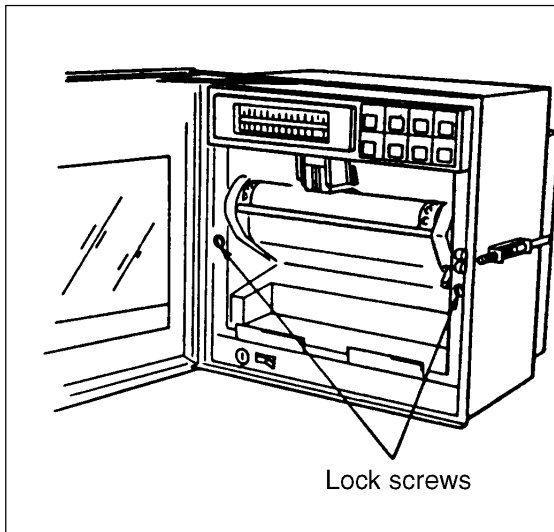
**Step 9**

From the next procedures, reverse the order to step 4.

### 3.3 Replacement of Model PHA power unit

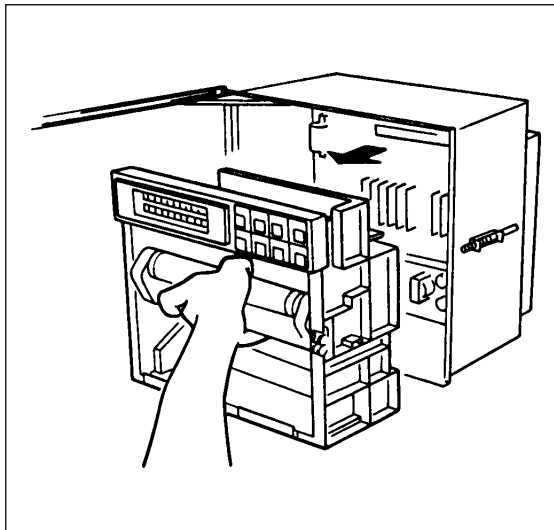
**Step 1** Turn off the power and remove receptacles.

**Step 2**



Remove the right and left lock screws by turning them counterclockwise.

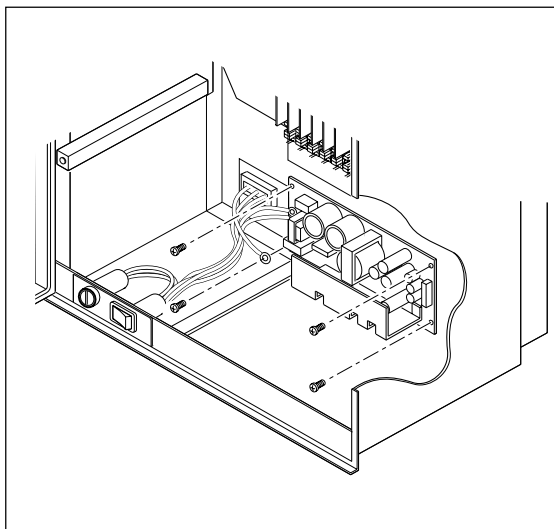
**Step 3**



Grip the paper feed frame and pull it firmly toward you.  
This detaches it from the main unit.

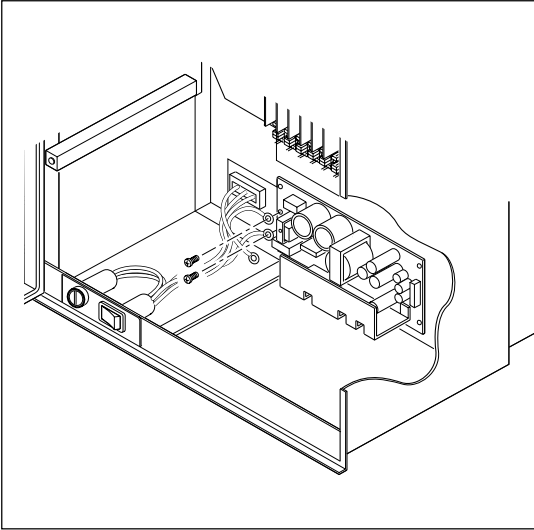
**Step 4** Disconnect the cables from the main board.

**Step 5**



Remove 4 screws from the corner of the main board.  
Since the GND is attached to the screws below the left, use care about it when mounting the unit.

**Step 6**



Disconnect the cable from the power terminal, and remove the power unit.  
Now, the removing procedures are completed.

**Mounting**

**Step 7**

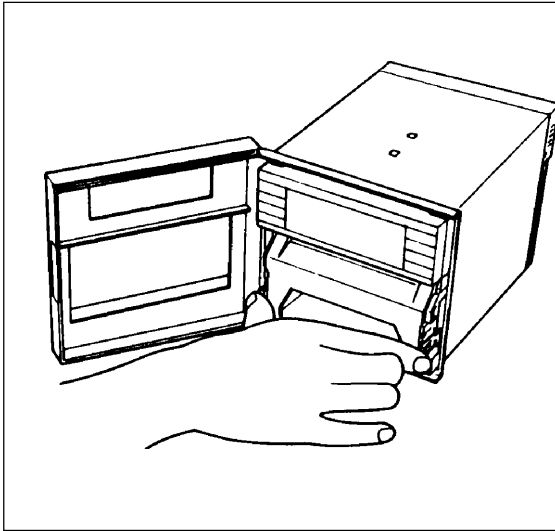
Mount by reversing the replacement order.

### 3.4 Replacement of PHC CPU board

**Step 1** Turn off the power supply.

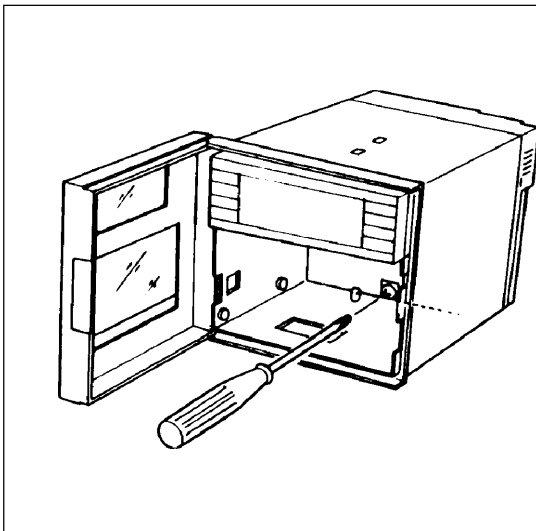
**Step 2** Open the front panel and remove the main unit as shown below.

**Step 3**



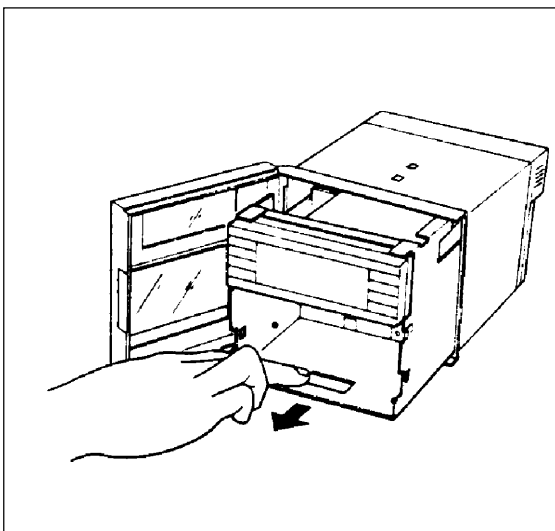
Hold the paper feed unit drawing levers by fingers and pull the paper feed unit toward you.

**Step 4**



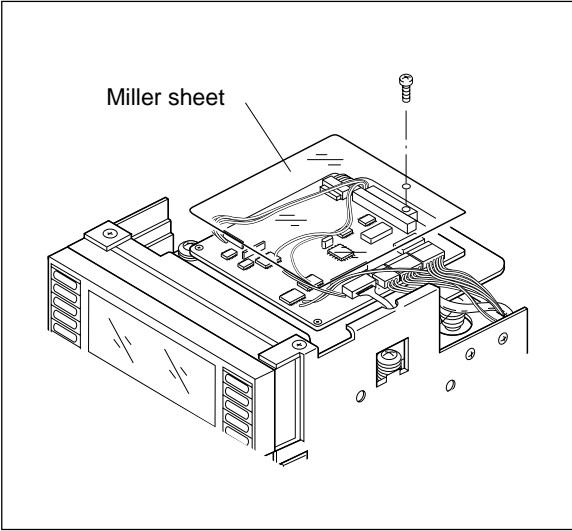
Loosen the lock screw (M4) inside the unit by using a driver.

**Step 5**



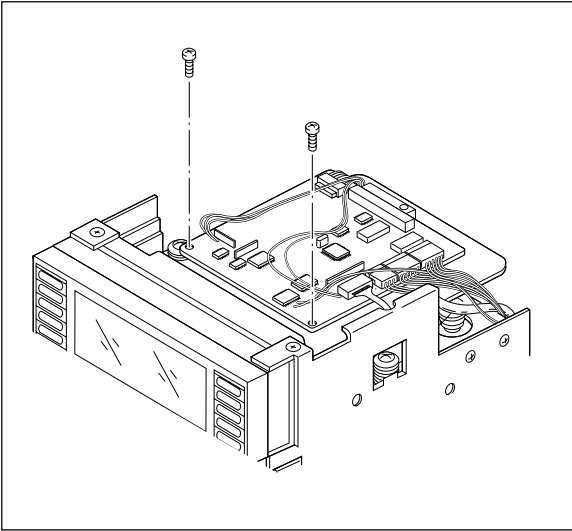
Press down the rectangular hole of the bottom base and pull it toward you, the main unit can be removed.

**Step 6**



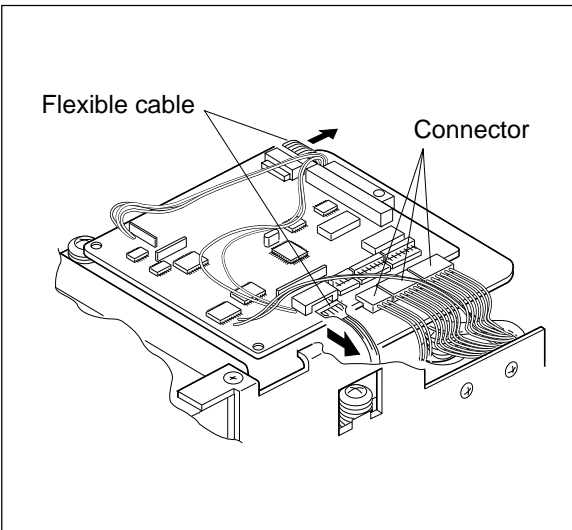
Remove Miller sheet

**Step 7**

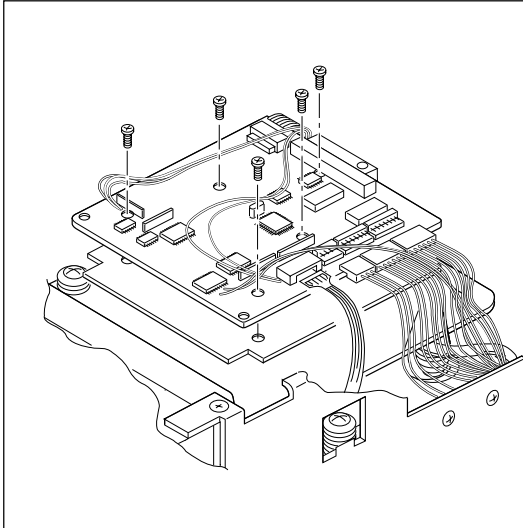


Remove two screws fixing the CPU board.

**Step 8**



Use care when mounting the flexible cables on the display and the chart paper to prevent tear. Remove the remaining 3 screws.

**Step 9**

Remove gland plane and remove 3 cables by soldering.

- Battery cable
  - Chart end sensor cable
  - Sensor cable for head position detection
- Now, it completes removing step.

**Mounting****Step 10**

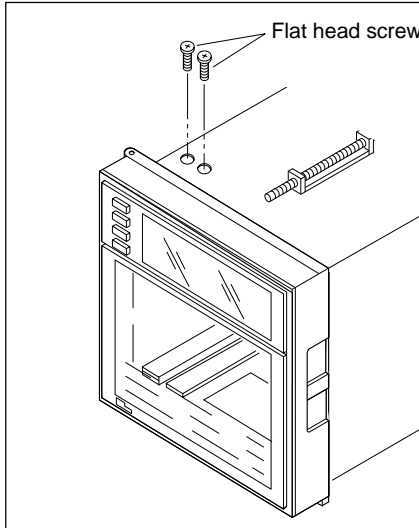
Reverse the preceding steps when mounting.

### 3.5 Replacement of AI board of Model PHC

**Step 1** Turn off the power and disconnect a receptacle.

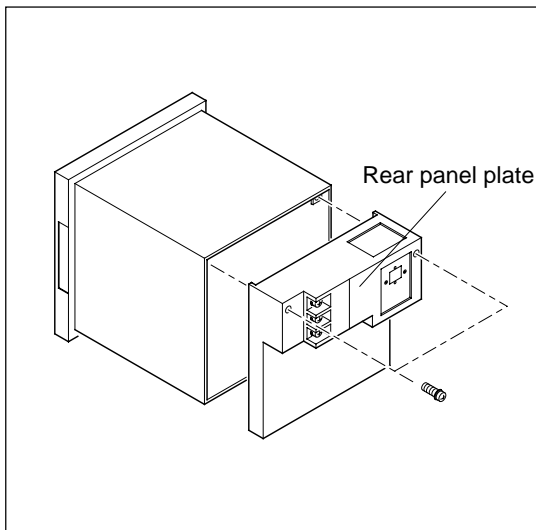
**Step 2** Remove all terminals from the rear of the unit.

**Step 3**



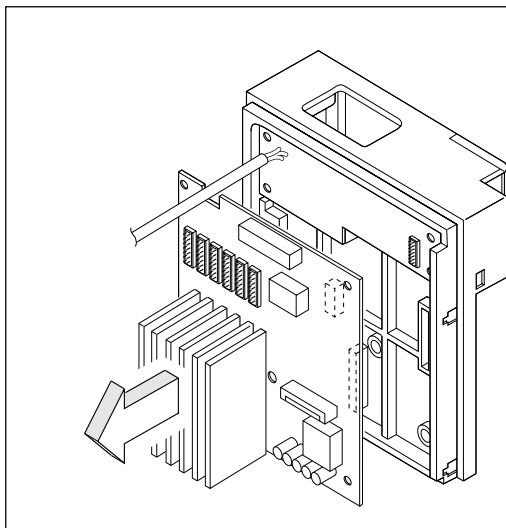
Remove flat head screws of the power switch.

**Step 4**



Remove 2 screws from the rear panel plate, and remove the rear panel plate.  
Note) Use care not to drop nuts.

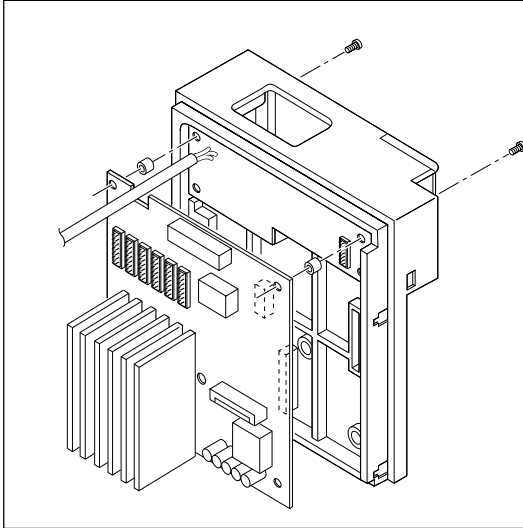
**Step 5**



Remove the connectors from the power unit and remove the AI board.  
Note) When electrical units are mounted, remove the support for electrical units and remove the AI board.  
Now, it completes removing steps.

## Mounting

### Step 6



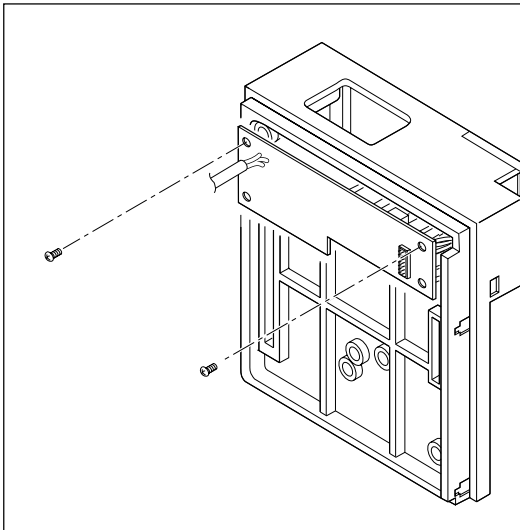
For mounting, reverse the preceding steps.  
Note) Keep in mind that spacers should be mounted when the rear panel plate is mounted.



### 3.6 Replacement of Model PHC power unit.

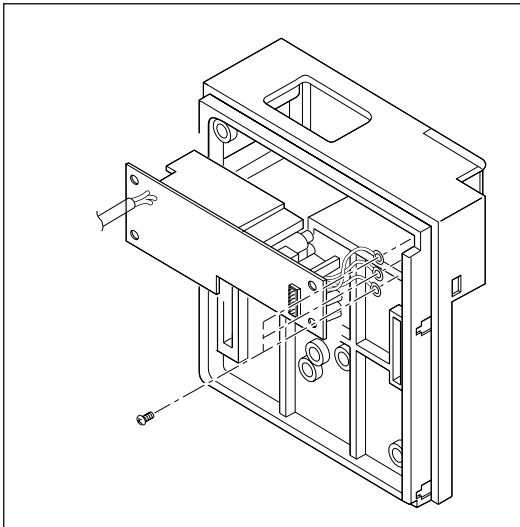
**Step 1** Remove the AI board. (refer to Replacement of AI board for Model PHC)

**Step 2**



Remove 2 screws fixing to the rear panel plate.  
Note) Use care when removing screws fixed to both ends them to avoid dropping nuts.

**Step 3**



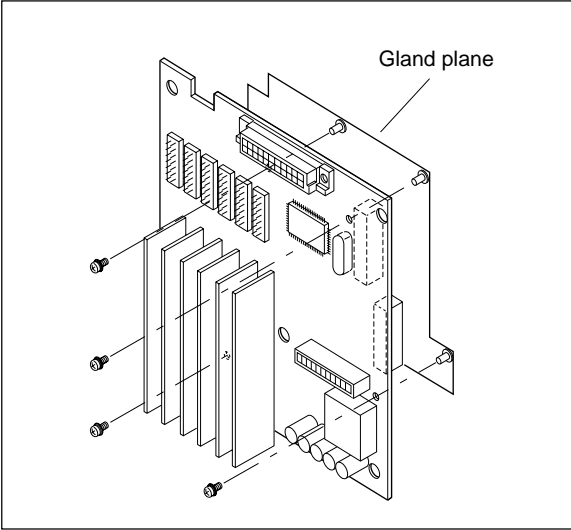
Remove the power unit.  
Finally, it is completed by removing the power cables

#### Mounting

**Step 4** For mounting, reverse the preceding steps to mount.

### 3.7 Replacement of input module

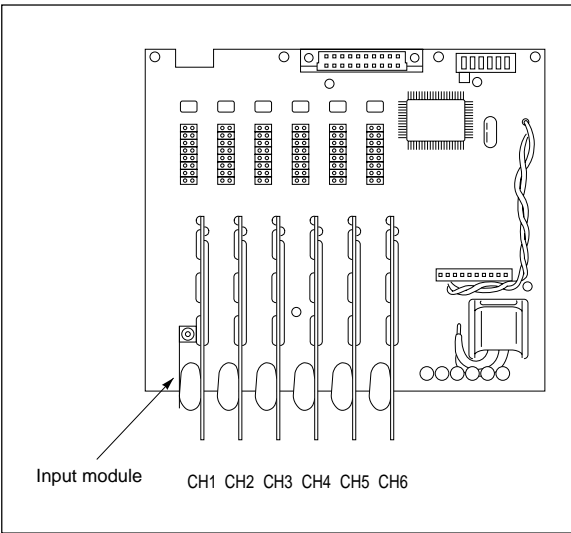
**Step 1**



Gland plane

Removing card and gland plain:  
For Model PHA, the input modules are mounted on the main board, and the AI board for Model PHC. Since the gland plain is connected to the card, remove the card. The following shows an example of the AI card as well as the AI card.

**Step 2**



Input module CH1 CH2 CH3 CH4 CH5 CH6

Replacement of input module  
Remove any defective input module by using a solder absorbing device, replace it with new one (by soldering).

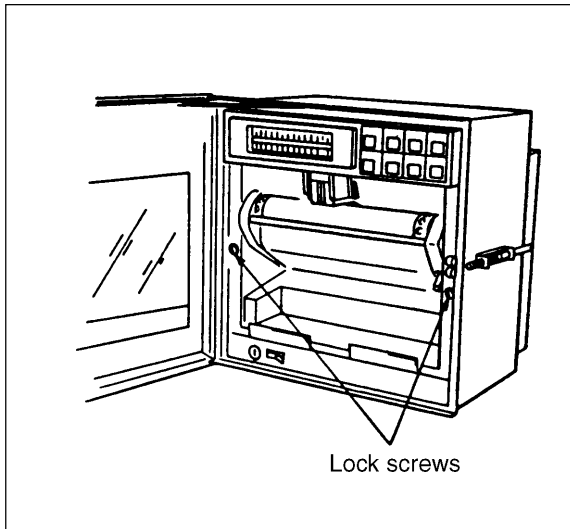
**Step 3**

**Input calibration**  
Perform calibration of the channel of which the input module was replaced. For input calibration, refer to Instruction Manual, Chapter 5.  
When CH1, CH4, CH7 or CH10 is replaced, it is indispensable to make a calibration of cold junction compensation. Refer to II. 5 Use of TEST channel.

### 3.8 Replacement of Rope

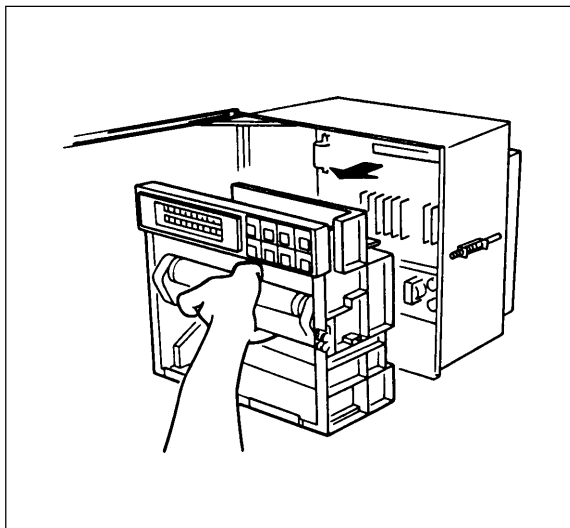
#### 3.8.1 Replacement of PHA

##### Step 1



Remove the paper feed frame by turning lock screws (on the right and left) counter-clockwise.

##### Step 2



Pull the paper feed frame forward to remove the main unit.  
Since a bearing from the tension fixtures hooks the case, pull the main unit forward while pressing it inside with a small tool like a driver.  
Tension fixture and the bearing are described in ≈ .

##### Step 3

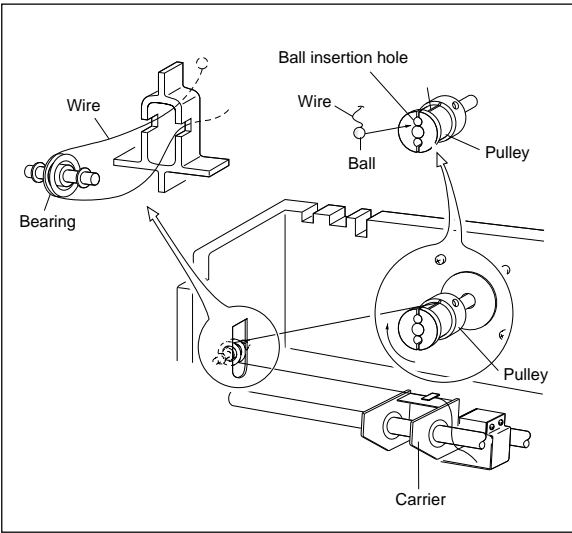
Remove the display unit

- Loosen two screws on both sides.
- Remove the connector in the rear.

↓

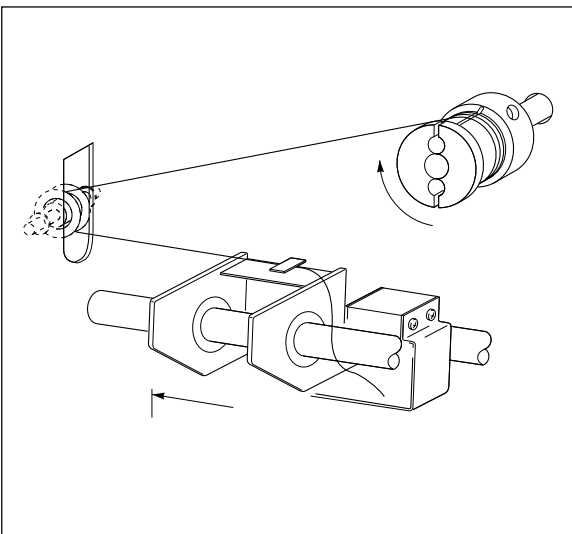
Remove the display unit.

**Step 4**



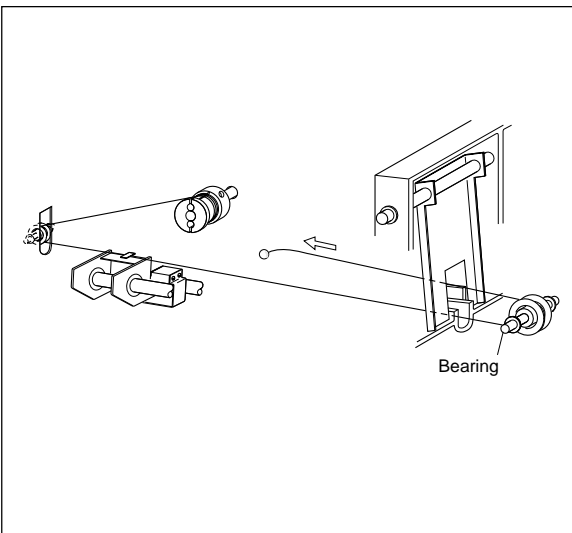
Attach the left-handed wire to the pulley through the bearing.

**Step 5**



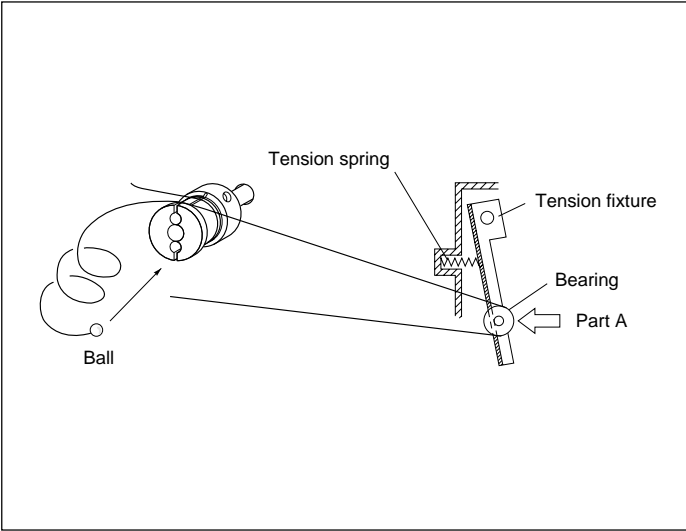
Wind wire attached to the pulleys

**Step 6**



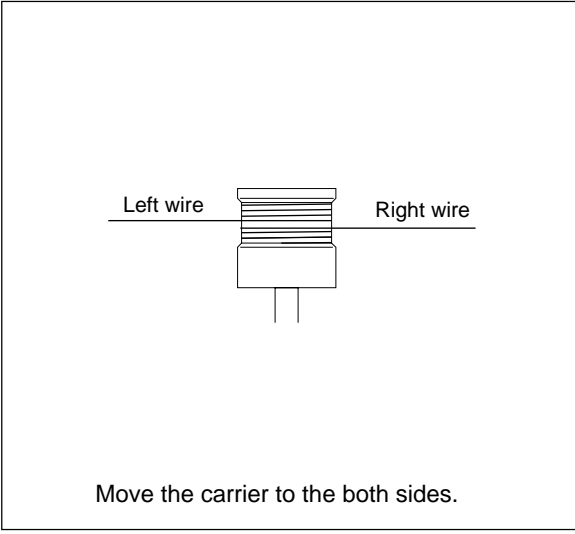
Attach the right-hand wire to the pulley side through the bearing.

**Step 7**



Hold down Part A , wind the wire on the pulley, and insert the wire ball into the pulley hole.

**Step 8**



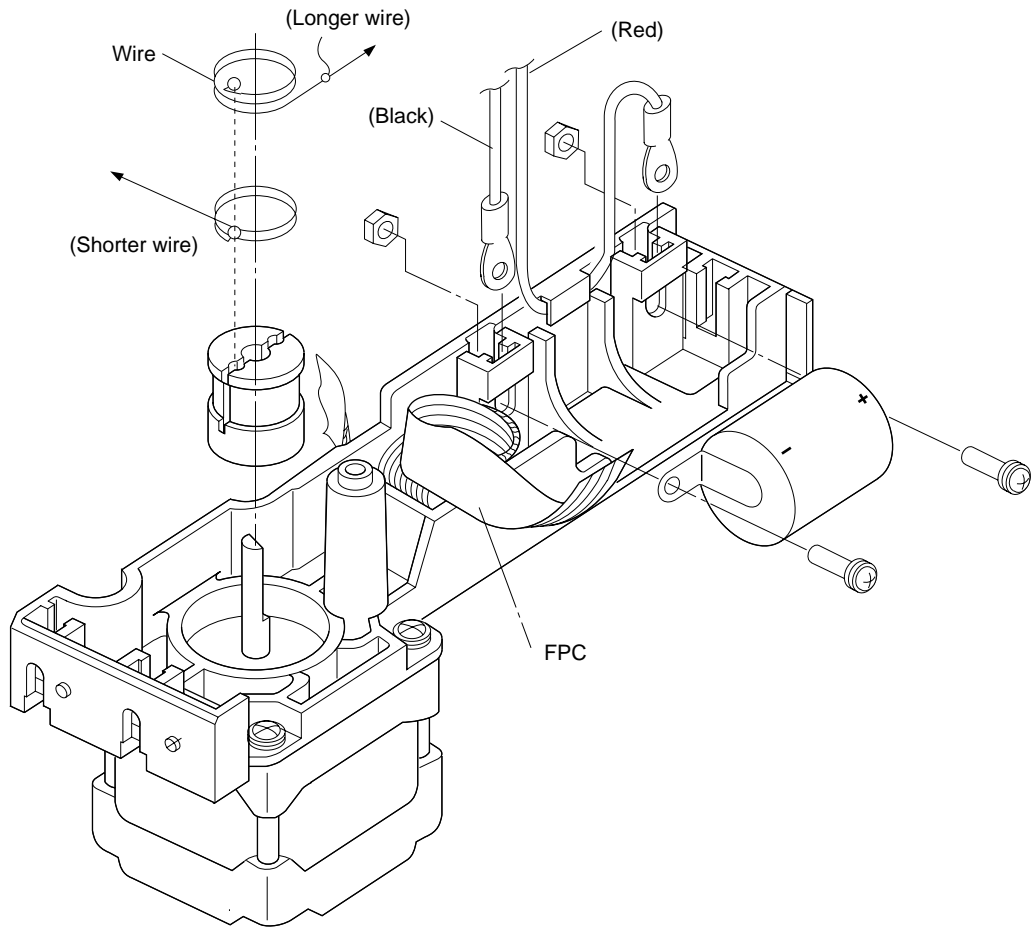
Check wire for winding.

**Step 9**

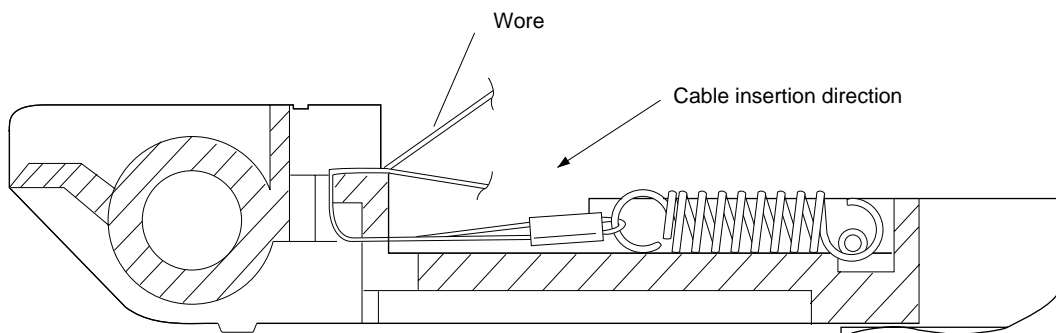
Reassemble by reversing steps ①, ② and ③.

### 3.8.2 Replacement of PHC rope

#### ① Motor unit



#### ② Carrier unit



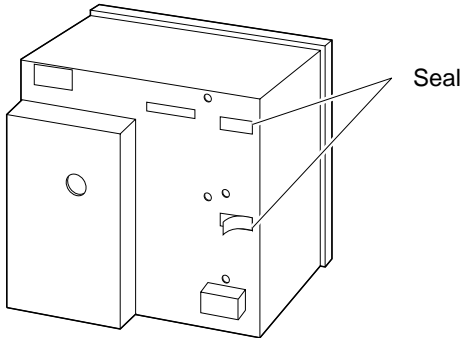
### 3.9 Option unit mounting

#### 3.9.1 Alarm/external control unit mounting

(1) PHA

**Step 1** Turn off the power prior to work.

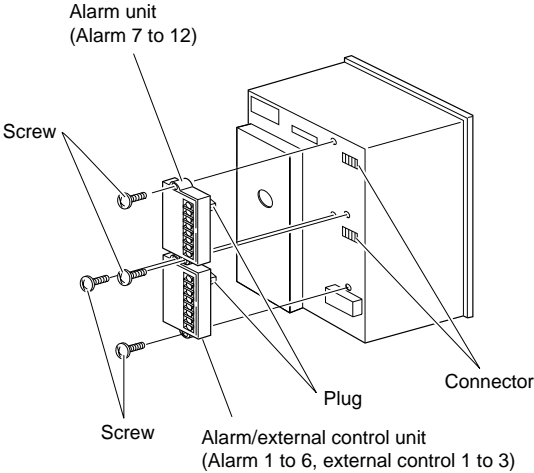
**Step 2**



Remove the two blind seals which are attached to the right of the rear of the main unit, so that the two connectors are exposed.

**Note:** Alarm 1 to 12, external control 1 to 3: 2 seals  
Alarm 1 to 6, external control 1 to 3: 1 seal (lower)

**Step 3**



Insert two plugs from the alarm/external control unit and alarm unit into the connectors on the main unit. Fasten them with two lock screws.

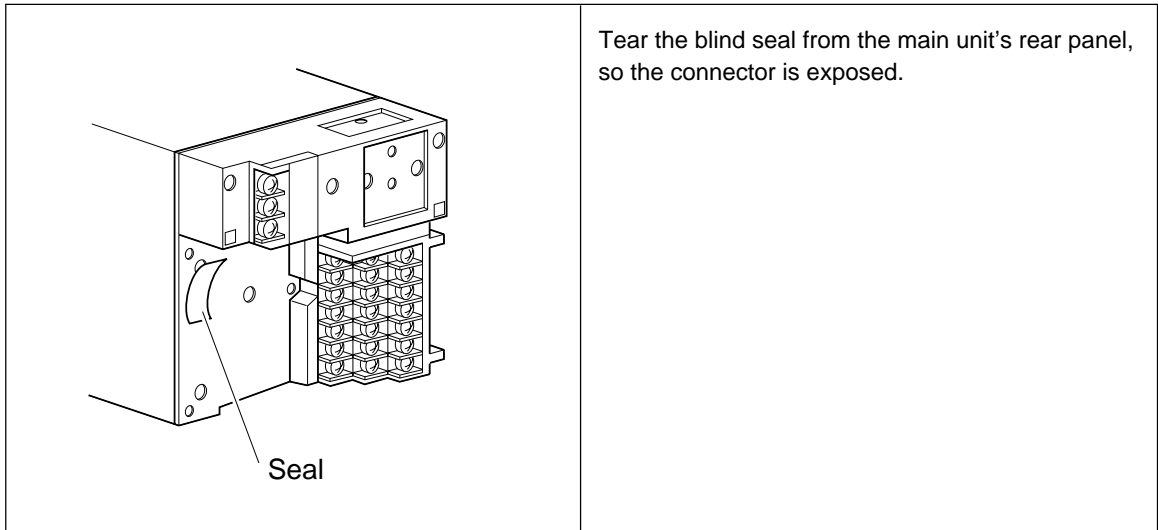
**Note:** Install the alarm/external control unit (alarm 1 to 6, external control 1 to 3) to the lower part and alarm unit plug (alarm 7 to 12) to the upper part.  
If they are not properly installed, the external controls will not function.

Alarm/external control	Alarm unit
RECORD START (11) — (21)	
CHART SPEED CHANGE (12) — (22)	
DATA PRINT (13) — (23)	
(14) — (24) ALARM 1	(31) — (41) ALARM 7
(15) — (25) ALARM 2	(32) — (42) ALARM 8
(16) — (26) ALARM 3	(33) — (43) ALARM 9
(17) — (27) ALARM 4	(34) — (44) ALARM 10
(18) — (28) ALARM 5	(35) — (45) ALARM 11
(19) — (29) ALARM 6	(36) — (46) ALARM 12

(2) PHC

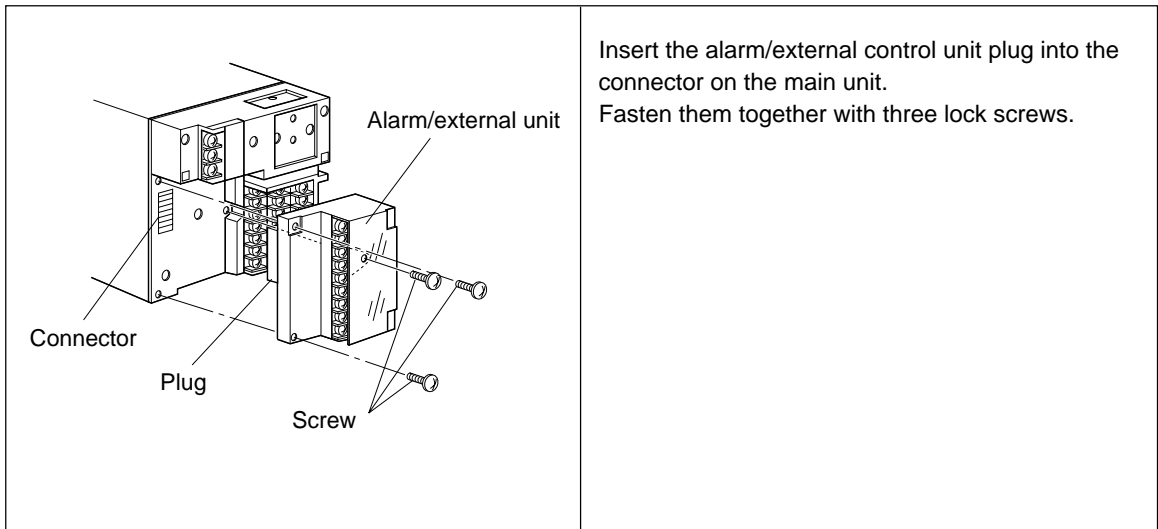
**Step 1** Turn off the power and proceed as follows.

**Step 2**



Tear the blind seal from the main unit's rear panel, so the connector is exposed.

**Step 3**



Insert the alarm/external control unit plug into the connector on the main unit. Fasten them together with three lock screws.

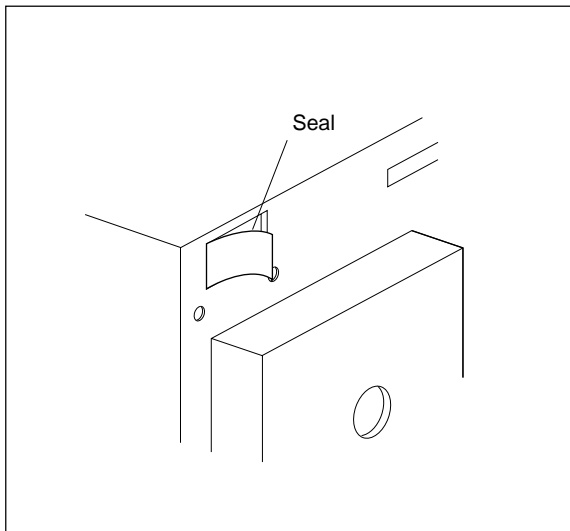


### 3.9.2 RS485 transmission card mounting

(1) RHA

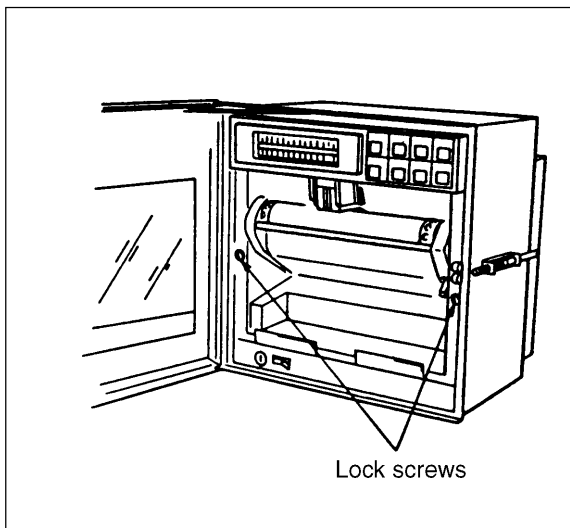
**Step 1** Turn off the power.

**Step 2**



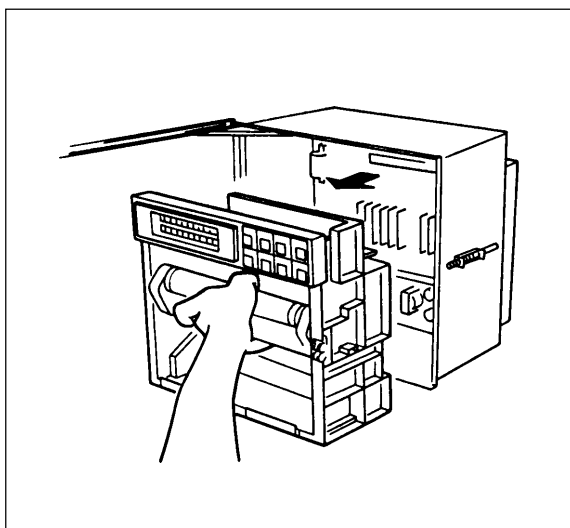
Tear the seal from the rear upper left of the main unit. The transmission terminal mounting hole is blocked by this seal.

**Step 3**



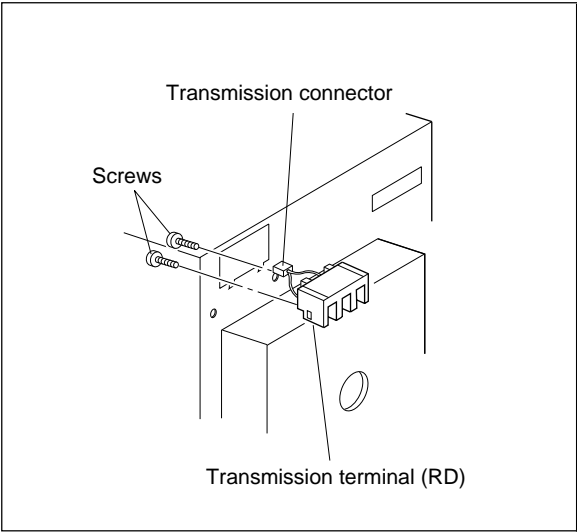
Remove the two lock screws by turning them counterclockwise.

**Step 4**



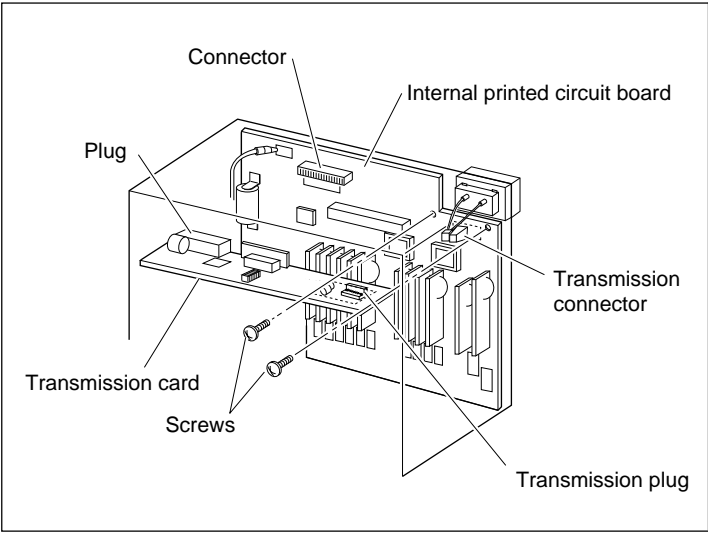
To remove the main unit, hold down the paper feed frame with your hand and pull it forward.

**Step 5**



Bring the transmission connector close to the mounting hole at the rear of the main unit. Place the projection at the terminal top into the main unit, and affix it with the attached screws.

**Step 6**



Insert the transmission card plug into the black connector of the internal printed circuit board. Affix the transmission card with two lock screws. Relay the transmission plug to the transmission connector.

**Step 7**

Reverse the procedures described in steps 3 and 4 to return the main unit to the case.

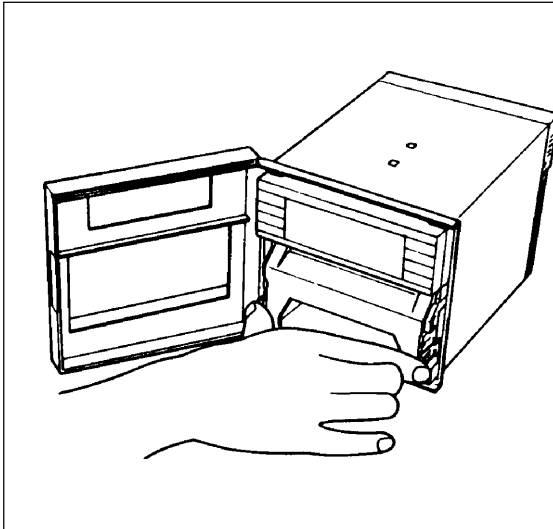
(2) PHC

To add the RS-485 transmission function, observe the mounting procedures of the RS-485 transmission card

**Step 1** Turn off the power.

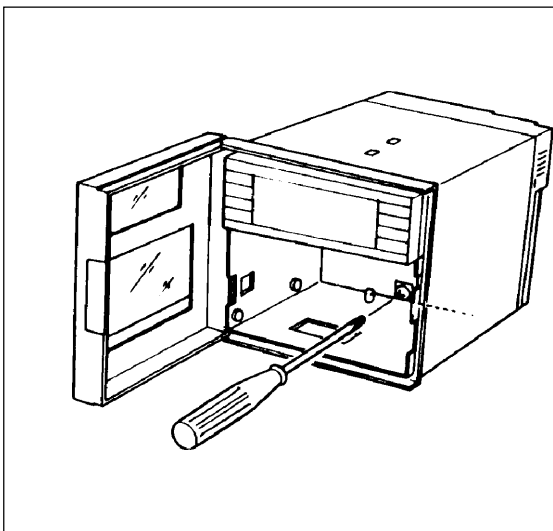
**Step 2** Open the front door to remove the main unit from the case as shown below.

**Step 3**



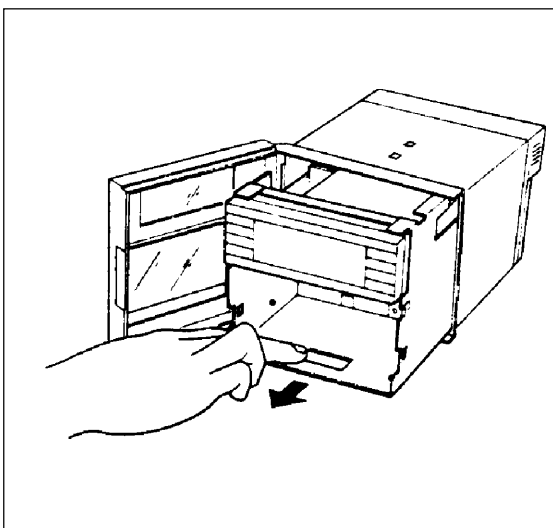
To withdraw the paper feed unit, hold the left and right paper feed unit drawer levers with your fingers and pull it forward.

**Step 4**

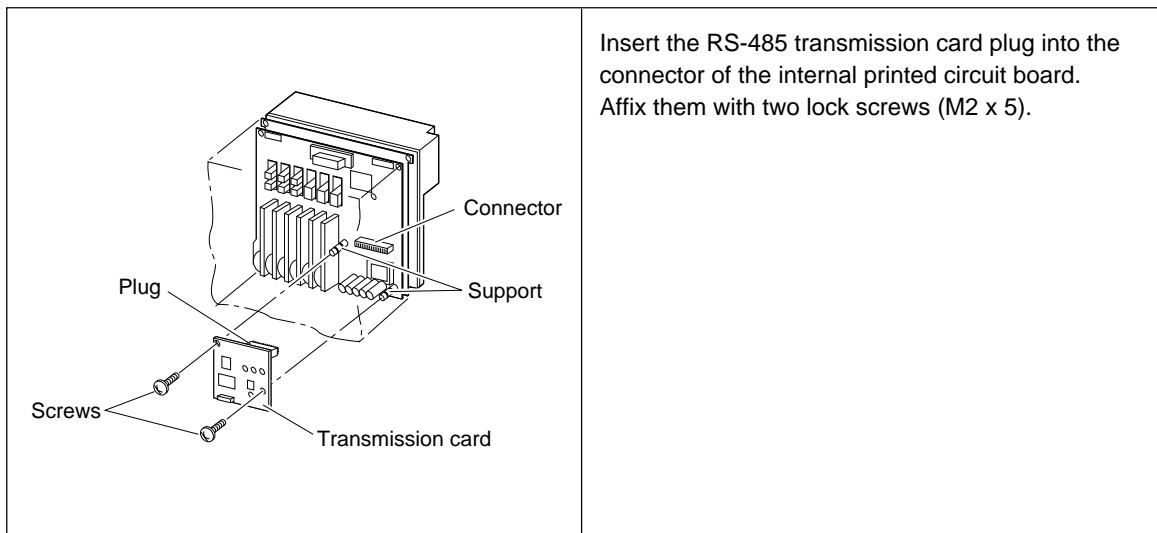


Loosen the main unit internal lock screws (M4) with a screwdriver.

**Step 5**



Place a finger on the rectangle that is on the lower base plate to pull it forward. The main unit can now be separated from the case.

**Step 6****Step 7**

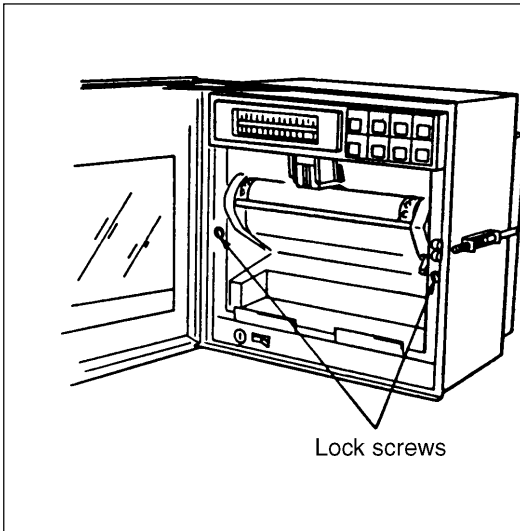
- After work has been completed, return the main unit to the case and affix with lock screws.
- Reinstall the paper feed unit.

### 3.9.3 Fluorescent lamp unit mounting

(1) PHA

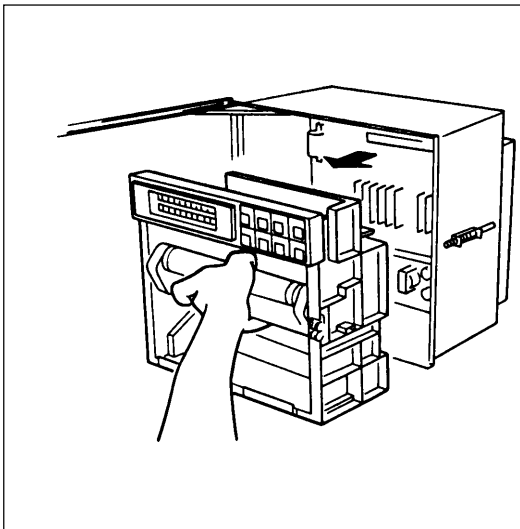
**Step 1** Turn off the power.

**Step 2**



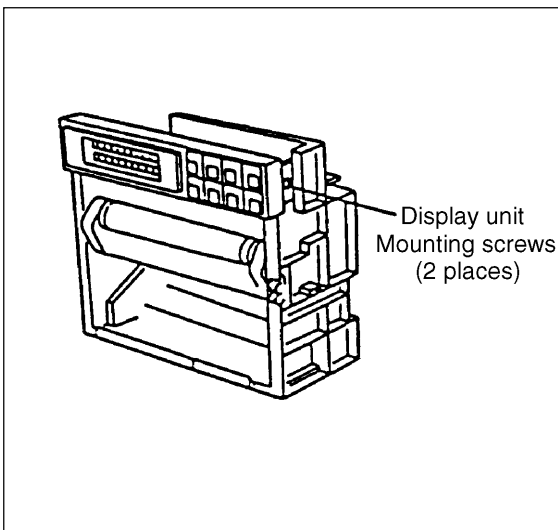
Remove the fluorescent lamp unit by turning the right and left lock screws counterclockwise.

**Step 3**



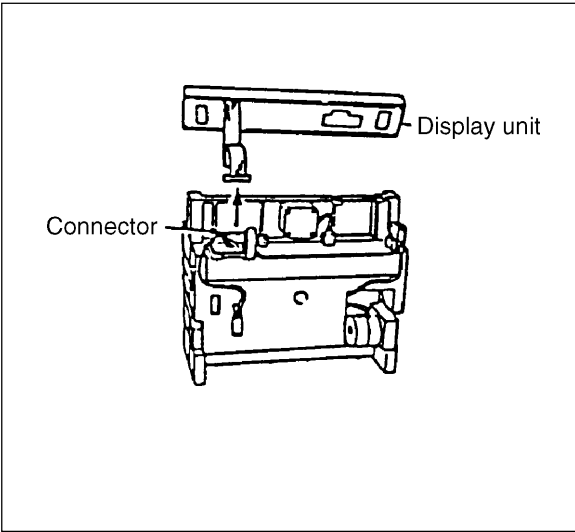
To remove the main unit from the case, hold the paper feed frame and pull it forward.

**Step 4**



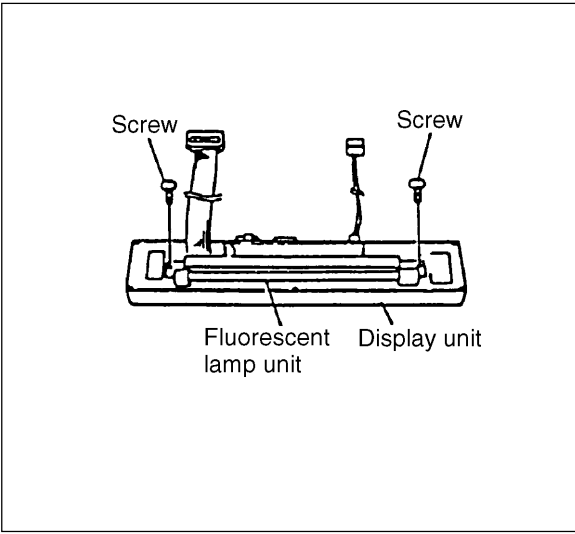
Remove the right and left mounting screws from the display unit. Remove the display unit from the main unit.

**Step 5**



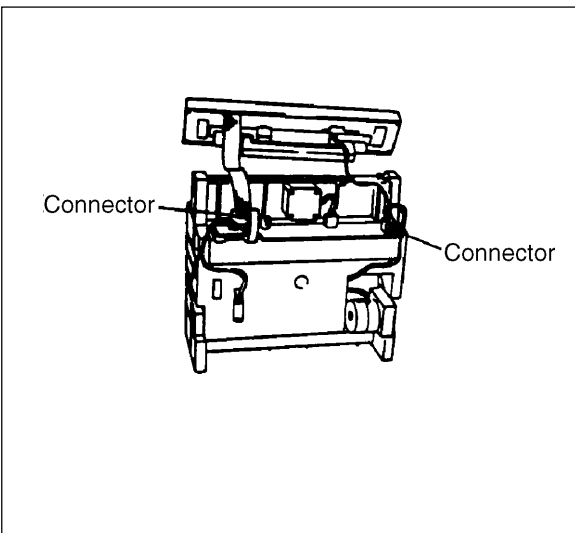
Remove the connector from the display unit and main unit.

**Step 6**



Place the fluorescent lamp unit onto the rear of the display unit and affix with two mounting screws.

**Step 7**



Relay the display unit to the main unit connectors (2).

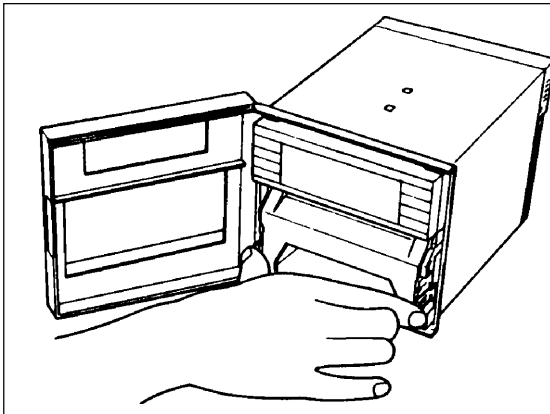
**Step 8**

Reassemble the main unit by reversing the procedures in steps 2, 3 and 4.

(2) PHC

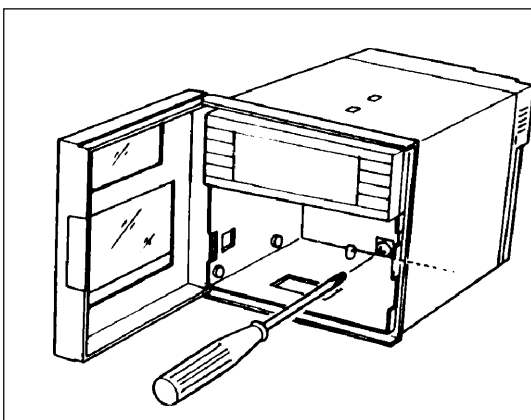
**Step 1** Turn off the power.

**Step 2**



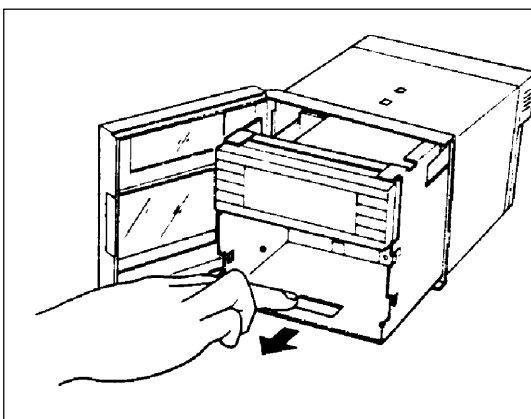
To remove the paper feed unit, hold the right and left paper feed unit drawer levers and proceed to pull it forward.

**Step 3**



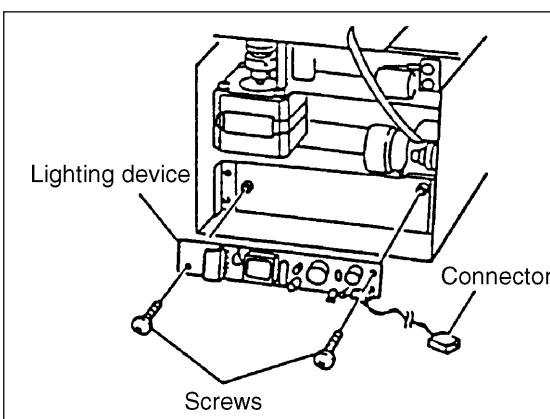
Loosen the main unit internal lock screws (M4) with a driver.

**Step 4**



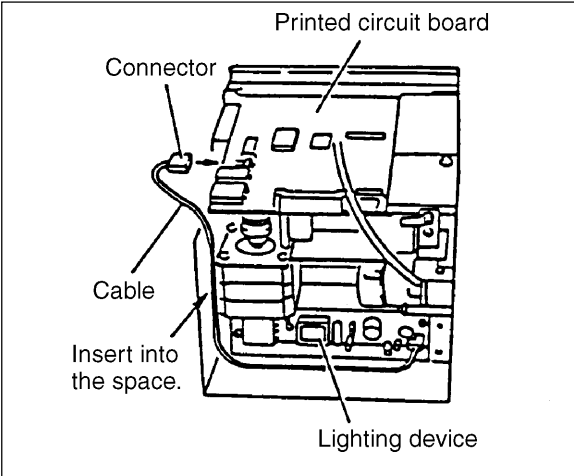
Place your finger on the rectangle on the lower base plate and pull it forward. The main unit can now be removed from the case.

**Step 5**



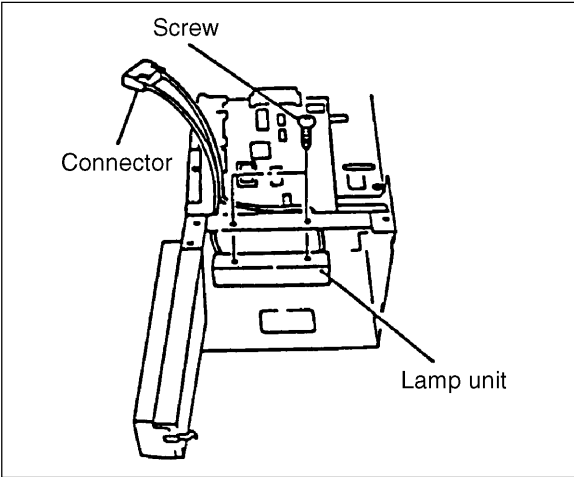
Affix the lighting device unit to the rear of the main unit with two mounting screws.

**Step 6**



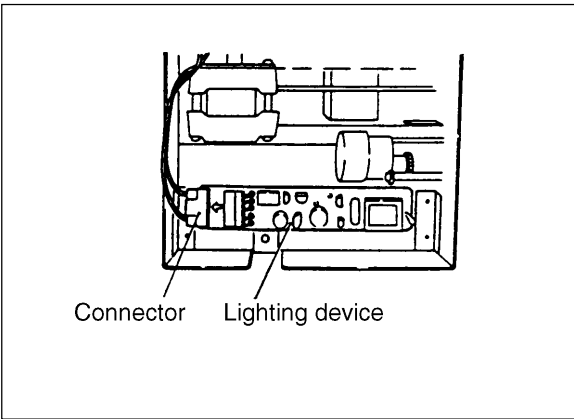
Connect the lighting device unit cable to the left connector on the main unit upper printed circuit board.  
Keep the cable in the space provided between the main unit and motor.

**Step 7**



Fix the lamp unit to the front panel of the main unit with two screws.

**Step 8**



Insert the lamp cable connector into the lighting unit.

**Step 9**

Reassemble the main unit by reversing the procedures in steps 2, 3 and 4.



## 4. Method of initial start

If an error occurs in the recorder's internal memory when the battery is removed or when parts are faulty, the recorder cannot be started even if the power is turned on again.

The following steps should be observed to make an initial start:

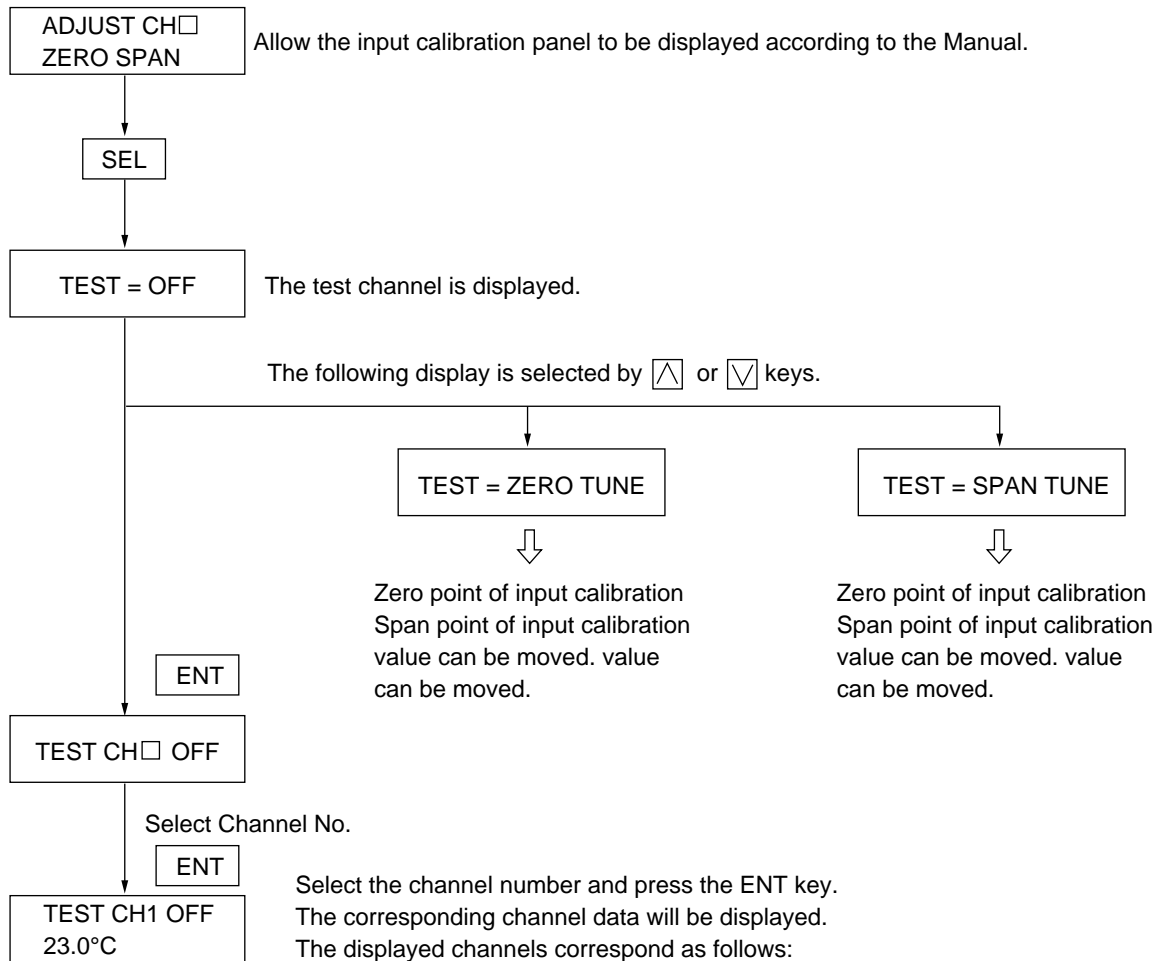
- (1) Hold down the   keys simultaneously and turn on the power.
- (2) The internal memory data is completely initialized by the procedures above.
  - Clock resetting is required.
  - Head zero-span adjustment or backlash adjustment is required.
  - Set again since the input type or range setting values are initialized.

If the displayed characters are wrong, select the Japanese or English mode you, desire as described in II. 6.

## 5. Use of TEST channel

A TEST channel is provided for input calibration and testing at the factory.

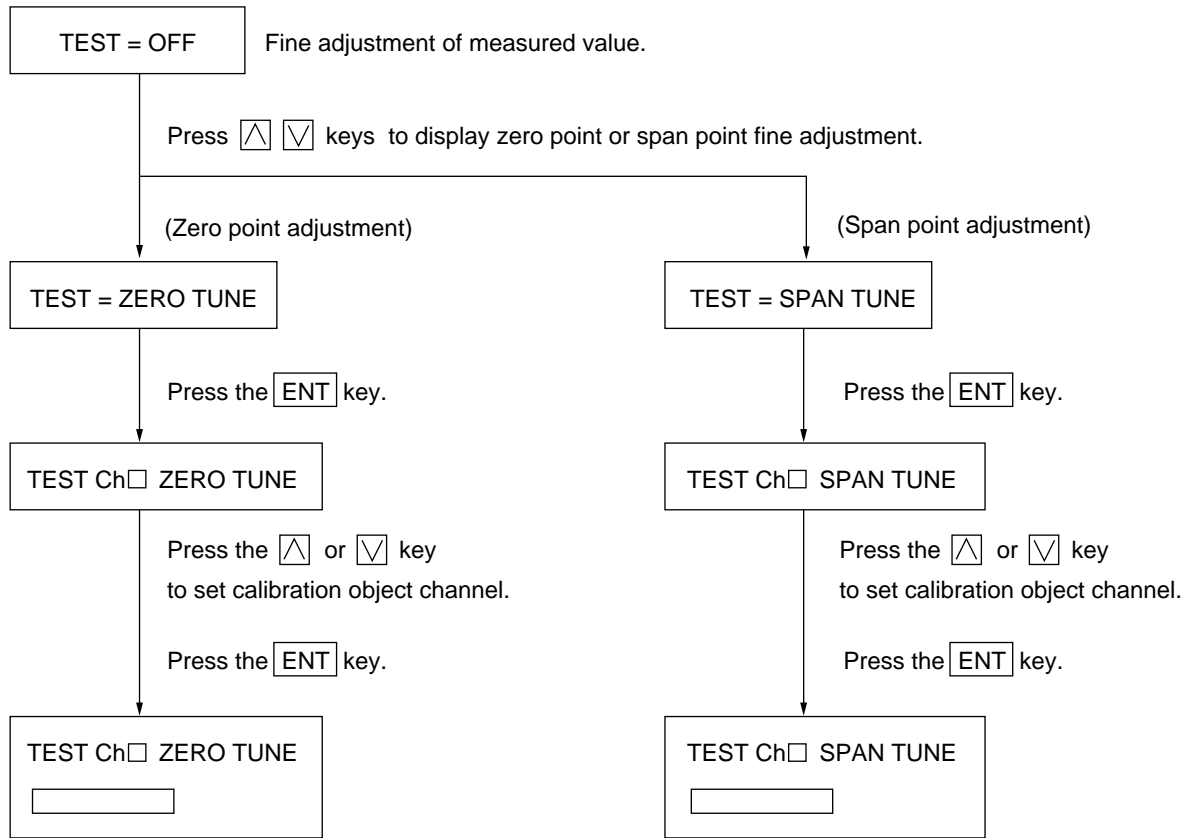
### 5.1 Shift to TEST channel



PHA: CH1 to CH12: CH1 to CH12 of the measured values  
 CH13: Cold contact compensation temperature 1 (for CH1 to 3 compensation)  
 CH14: Cold contact compensation temperature 2 (for CH4 to 6 compensation)  
 CH15: Cold contact compensation temperature 3 (for CH7 to 9 compensation)  
 CH16: Cold contact compensation temperature 4 (for C10 to 12 compensation)

PHC: CH1 to CH6: CH1 to CH6 of the measured values  
 CH7: Cold contact compensation temperature 1 (for CH1 to 3 compensation)  
 CH8: Cold contact compensation temperature 2 (for CH4 to 6 compensation)

## 5.2 Zero/span fine adjustment of measured value



### <Zero point fine adjustment>

The current input value corresponding to the input type and unit setting for each channel is displayed. Add the specified span point fine adjustment input. (For input value, see Table on next page.)

Adjust if the displayed values deviate from the specified values.

Press the ▲ key to increase the displayed value.

Press the ▼ key to decrease the displayed value.

### <Span point fine adjustment>

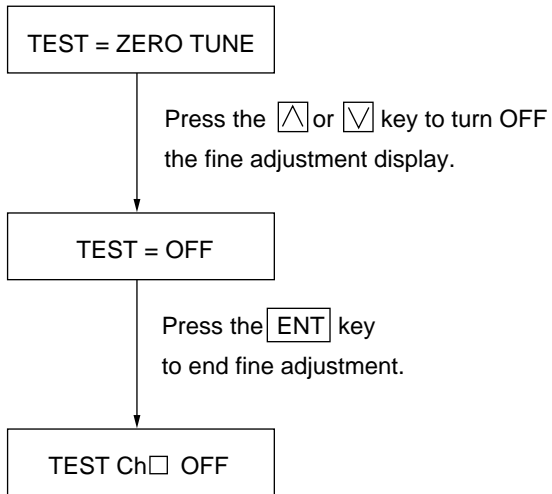
The current input value corresponding to the input type and unit setting for each channel is displayed. Add the specified span point fine adjustment input. (For input value, see Table on next page.)

Adjust if the displayed values deviate from the specified values.

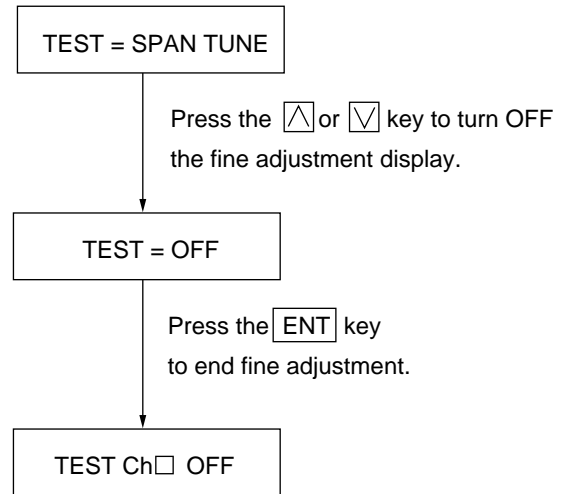
Press the ▲ key to increase the displayed value.

Press the ▼ key to decrease the displayed value.

Set to the specified value  
and press the **ENT** key.



Set to the specified value  
and press the **ENT** key.



**Input values for zero/span fine adjustment of measured values**

Type of input		Zero fine adjustment		Span fine adjustment	
		Input value	Display value	Input value	Display value
DC voltage	50V	0V	0.00V	50V	50.00V
	5V	0V	0.000V	5V	5.000V
	500mV	0mV	0.0mV	500mV	500.0mV
	50mV	0mV	0.00mV	50mV	50.00mV
Thermocouple bulb	Pt	100Ω	0.0°C	313.59Ω	600.0°C
	JPt	100Ω	0.0°C	317.28Ω	600.0°C
Thermocouple	K	0mV	0.0°C	54.807mV	1370.0°C
	The input type is also available for types other than K. Select the span point input value according to the corresponding thermocouple type.				

The terminal temperature should be measured during cold junction compensation fine adjustment.  
Zero point should be compensated for by the measured temperature.

## 6. Internal data setting

### 6.1 Shift to absolute address mode

ADJUST CH□  
ZERO SPAN

(1) Allow input calibration panel to be displayed according to Manual, Chap. 9.

ADJUST CH0  
ZERO SPAN

(2) Press the  key to set to CH 0.

RAM READ/WRITE  
ADDR. 0 DATA. 80

(3) Press ,   at the same time to select the absolute address mode, so the write/read process is carried out in or from the internal memory.

(4) After the absolute address action is completed, press the  key to return to the initial state.

### 6.2 Selection of Japanese/English mode

(1) Select the absolute address mode and set the contents of the address to 8.

RAM READ/WRITE  
ADDR. 8 DATA. 69

Japanese: 78

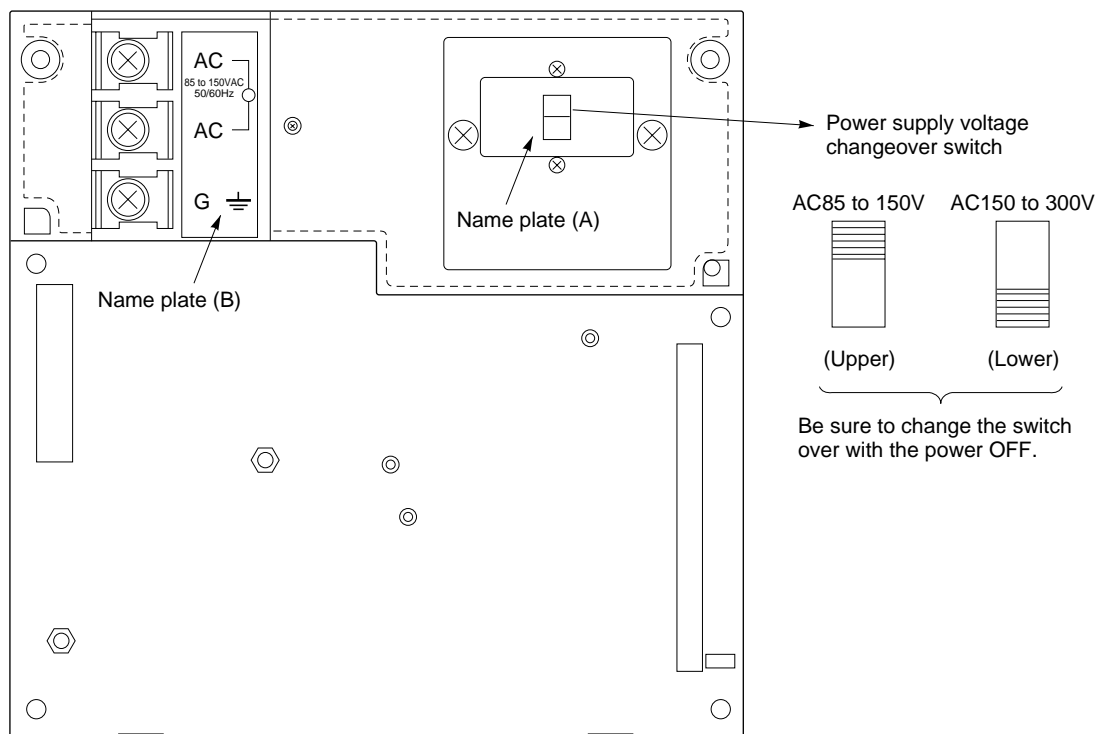
English: 69

(2) Turn off the power once. Hold down the ,  keys simultaneously and turn on the power. (initial start)  
Since making an initial start initializes all parameters, resetting is required.

## 7. Selection of PHC power switch

(1) Power supply voltage changeover switch setting

The switch is located beneath the nameplate (shown in part A) of the PHC rear panel. It is set as below:



(2) Nameplate attachment

After the power supply voltage has been changed, be sure to change the voltage in the nameplate. (Power in excess of the specified value will destroy the instrument.)

① Specification nameplate .... Nameplates as shown below are attached to the upper and internal parts of the main case. Rewrite the power supply specification.

② Power supply nameplate ... Attach the following nameplates to Part (A) and Part (B) shown above.

AC85 to 1500	TK7E2256P1
AC150 to 3000	TK7E2256P2

} A and B nameplates - 1 set

Type	PHCG2221-NAOYY
Source	85 to 132V AC 50/60Hz
Ser. No.	NID1234T <span style="border: 1px solid black; padding: 2px;">O/A</span>
Mid.	9102
Fuji Electric Systems Co. Ltd. Japan	

---

## **Fuji Electric Systems Co., Ltd.**

### **Head Office**

Gate City Ohsaki, East Tower, 11-2, Osaki 1-chome,  
Shinagawa-ku, Tokyo 141-0032, Japan  
<http://www.fesys.co.jp/eng>

### **Instrumentation Div.**

#### **International Sales Dept.**

No.1, Fuji-machi, Hino-city, Tokyo 191-8502, Japan  
Phone: 81-42-585-6201, 6202 Fax: 81-42-585-6187  
<http://www.fic-net.jp/eng>

---